

XB13 10 joule xenon beacon range

Harsh industrial & marine environments



Overview

This range of ruggedised, weatherproof beacons, have been designed with high ingress protection to cope with harsh environmental conditions.

Features

- Weatherproof
- IP66 & IP67
- Operating temperature: -40°C to +70°C
- Corrosion resistant red painted GRP body
- High intensity flash
- Polycarbonate lens, various colours available
- Retained stainless steel cover screws
- Optional lens guard
- Optional telephone or relay initiate
- 3 x M20 cable entries
- Replaceable tube
- Switchable dual flash

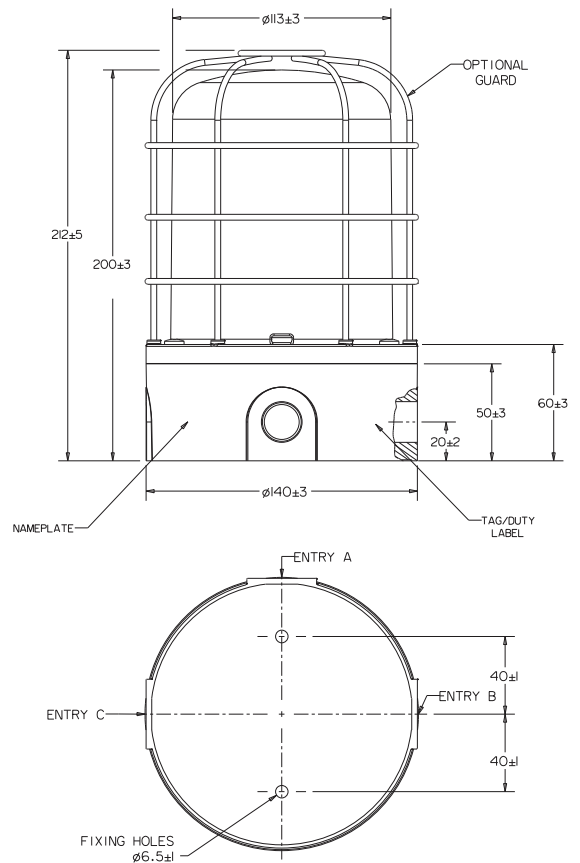
Specifications

Material	UV stable glass reinforced polyester body UV stable polycarbonate cover/lens Retained stainless steel cover screws	
Finish	Painted red as standard or to customer specification	
Tube energy	10 Joules (second flash 7.5 joules)	
Weight	1.1kg	
Operating temp	-40°C to +70°C	
Ingress protection	IP66 & IP67	
Tube life	>1 x 10 ⁶ flashes	
Voltage	12V d.c., 24V d.c., 48V d.c., 115V a.c., 230V a.c	
Current consumption	Voltage	Current consumption
	12V d.c.	1.4A
	24V d.c.	650mA
	48V d.c.	360mA
	115V a.c.	180mA
	230V a.c.	100mA
Tube type	Xenon discharge	
Lens colour	Various colours available	
Terminals	8 x 2.5mm ²	
Flash rate	1 flash per second	
Dual flash rate	Time between dual flashes = 0.5 seconds Charging time = 1 second Cycle repeats every 1.5 seconds	
Labels	Duty and tag labels available	
Cable entries	Up to 3 x M20 via knockouts	
Intensity	Effective intensity 220 Cd. Peak intensity 75,000 Cd (Figures are for clear lens at 1Hz flash rate)	
Relay initiate	Initiation by telephone ringing tone or low voltage control signals - not available with 48Vdc	

Multiplying factor for coloured lenses

Red	Blue	Amber	Green	Yellow
0.15	0.12	0.51	0.49	0.86

General arrangement drawing (all dimensions in mm)



Ordering requirements

The following code is designed to help in selection of the correct unit. Build up the reference number by inserting the code for each component into the appropriate box

Model	Voltage	Lens colour	Guard	Options	Finish																																																		
XB13																																																							
	<table border="1"> <thead> <tr> <th>Voltage</th> <th>Code</th> </tr> </thead> <tbody> <tr> <td>12 Vdc</td> <td>012</td> </tr> <tr> <td>24 Vdc</td> <td>024</td> </tr> <tr> <td>48 Vdc</td> <td>048</td> </tr> <tr> <td>115 Vac</td> <td>115</td> </tr> <tr> <td>230 Vac</td> <td>230</td> </tr> </tbody> </table>	Voltage	Code	12 Vdc	012	24 Vdc	024	48 Vdc	048	115 Vac	115	230 Vac	230	<table border="1"> <thead> <tr> <th>Lens Colour</th> <th>Code</th> </tr> </thead> <tbody> <tr> <td>Red</td> <td>R</td> </tr> <tr> <td>Blue</td> <td>B</td> </tr> <tr> <td>Green</td> <td>G</td> </tr> <tr> <td>Amber</td> <td>A</td> </tr> <tr> <td>Yellow</td> <td>Y</td> </tr> <tr> <td>Clear</td> <td>C</td> </tr> </tbody> </table>	Lens Colour	Code	Red	R	Blue	B	Green	G	Amber	A	Yellow	Y	Clear	C	<table border="1"> <thead> <tr> <th>Guard</th> <th>Code</th> </tr> </thead> <tbody> <tr> <td>None</td> <td>N</td> </tr> <tr> <td>Yes</td> <td>Y</td> </tr> </tbody> </table>	Guard	Code	None	N	Yes	Y	<table border="1"> <thead> <tr> <th>Options</th> <th>Code</th> </tr> </thead> <tbody> <tr> <td>None</td> <td>N</td> </tr> <tr> <td>Duty</td> <td>D*</td> </tr> <tr> <td>Tag</td> <td>T*</td> </tr> <tr> <td>Telephone initiate</td> <td>††</td> </tr> <tr> <td>Relay initiate</td> <td>R†</td> </tr> </tbody> </table>	Options	Code	None	N	Duty	D*	Tag	T*	Telephone initiate	††	Relay initiate	R†	<table border="1"> <thead> <tr> <th>Finish</th> <th>Code</th> </tr> </thead> <tbody> <tr> <td>Painted red</td> <td>R</td> </tr> <tr> <td>Special</td> <td>S*</td> </tr> </tbody> </table> <p>*Please specify</p>	Finish	Code	Painted red	R	Special	S*
Voltage	Code																																																						
12 Vdc	012																																																						
24 Vdc	024																																																						
48 Vdc	048																																																						
115 Vac	115																																																						
230 Vac	230																																																						
Lens Colour	Code																																																						
Red	R																																																						
Blue	B																																																						
Green	G																																																						
Amber	A																																																						
Yellow	Y																																																						
Clear	C																																																						
Guard	Code																																																						
None	N																																																						
Yes	Y																																																						
Options	Code																																																						
None	N																																																						
Duty	D*																																																						
Tag	T*																																																						
Telephone initiate	††																																																						
Relay initiate	R†																																																						
Finish	Code																																																						
Painted red	R																																																						
Special	S*																																																						

*Please specify wording
†Not available with 48Vdc