

XB12 21 joule xenon beacons range

Ex d, weatherproof



Overview

These high output certified beacons have been designed for use in potentially explosive atmospheres and harsh environmental conditions.

The enclosures are suitable for use offshore or onshore, where lightweight combined with corrosion resistance is required.

The beacon housing is manufactured completely from a UV stable, glass reinforced polyester.

Stainless steel screws and mounting bracket are incorporated ensuring a totally corrosion free product.

Units can be painted to customer specification and supplied with identification labels.

Features

- Zone 1 and Zone 2 use
- Ex d IIB T4/ T5/T6
- ATEX approved, Ex II 2G
- BASEEFA certified
- UL certified for USA and Canada
 - Hazardous locations:
 - Class I, Div 2, Groups C & D
 - Class I, Zone 1 & 2, AExd IIB T4
 - Ordinary locations: visual-signal device
 - Marine listed
- IECEx certified Gb
- PESO certified
- INMETRO certified
- High output (21 Joules)
- IP66 and IP67
- Certified temperature: -55°C to +70°C
- Corrosion resistant GRP
- Optional stainless steel backstrap
- Various lens colours
- Optional lens guard
- Optional telephone initiation
- Twin replaceable tubes



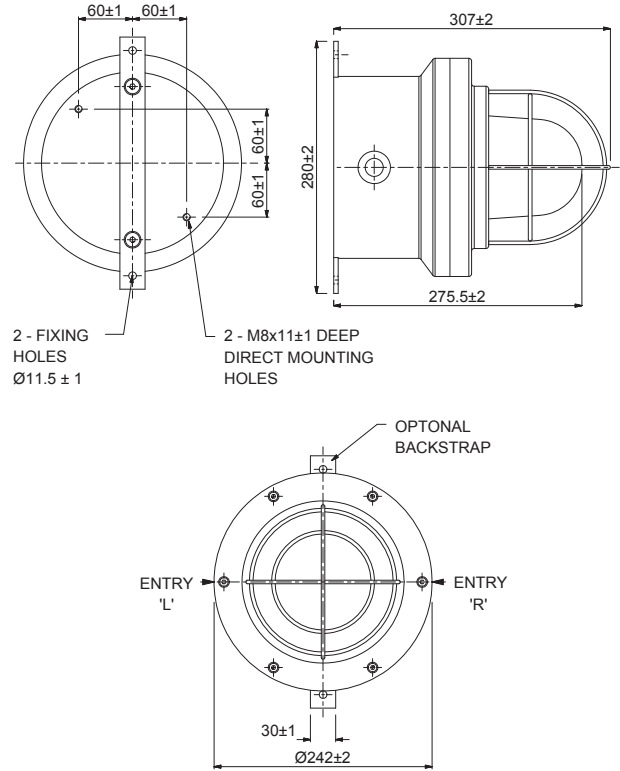
Certifications

ATEX Ex d	Cert. no. BAS99ATEX2196 Certified to: EN60079-0, EN60079-1 Ex II 2G, Ex d IIB T4/T5/T6 Gb
IECEX Ex d	Cert. no. IECEX BAS 10.0094. Certified to: IEC60079-0, IEC60079-1 Ex d IIB T4/T5/T6 Gb
UL Haz Locs	Cert. no. E187894. Class I, Div 2, Groups C & D. Class I, Zones 1 & 2, AExd IIB T4
UL Ord Locs	Cert no. S8128. Visual Signal Device
INMETRO Ex d	Ex d IIB T4/T5/T6 Gb

Specifications

Material	Body: glass reinforced polyester Lens: toughened glass Cover screws + backstrap: stainless steel 316
Finish	Natural black or painted to customer specification
Weight	7.0kg
Certified temp	Exd -55°C to +70°C (T4) -55°C to +55°C (T5) -55°C to +40°C (T6) UL -55°C to +70°C (hazardous locations) -55°C to +55°C (ordinary locations)
Ingress protection	IP66 & IP67
Fire retardancy	GRP is fire retardant to ISO 1210
Earth continuity	Optional for metal glands provided via a brass plate (not available in UL version)
Terminals	6 x 6.0mm ² (10AWG UL)
Telephone initiation	Initiation by telephone ringing tone
Labels	Duty/tag label optional
Entries	2 x M20 Ex d 2 x 1/2" NPT UL
Tube life	>1x10 ⁶ flashes

General arrangement drawing (all dimensions in mm)



Electrical ratings

	d.c.	a.c. 50/60Hz	
Voltage	24	110	240
XB12 tube energy (Joules)	21	21	21
Current (mA)	1400	350	185
Effective intensity (Cd)	355	355	355
Peak intensity (Cd)	123691	123691	123691
Power consumption (W)	33.6	38.5	44.4

Note: The Cd figures are for a clear lens @ 1Hz flash rate

Multiplying factor for coloured lenses

Red	Blue	Amber	Green	Yellow
0.15	0.12	0.51	0.49	0.86

The photometric data has been verified by BSI. A report is available if required

Ordering requirements

The following code is designed to help in selection of the correct unit. Build up the reference number by inserting the code for each component into the appropriate box

Model	Certification	Voltage	Flashrate	Lens colour	Lens guard	Fixings	Earth continuity	Tag/duty	Unit options	Finish																																																																																																			
XB12																																																																																																													
<table border="1"> <thead> <tr> <th>Certification</th> <th>Code</th> </tr> </thead> <tbody> <tr><td>Uncertified</td><td>W</td></tr> <tr><td>ATEX</td><td>B</td></tr> <tr><td>IECEX</td><td>J</td></tr> <tr><td>UL</td><td>UL</td></tr> <tr><td>UL(ordinary locations)</td><td>UW</td></tr> <tr><td>UL Marine</td><td>UM</td></tr> <tr><td>INMETRO</td><td>DM</td></tr> </tbody> </table>		Certification	Code	Uncertified	W	ATEX	B	IECEX	J	UL	UL	UL(ordinary locations)	UW	UL Marine	UM	INMETRO	DM	<table border="1"> <thead> <tr> <th>Fpm</th> <th>Code</th> </tr> </thead> <tbody> <tr><td>60/min</td><td>06</td></tr> </tbody> </table> <p>Other flash rates available, please specify</p>		Fpm	Code	60/min	06	<table border="1"> <thead> <tr> <th>Guard</th> <th>Code</th> </tr> </thead> <tbody> <tr><td>None</td><td>N</td></tr> <tr><td>Yes</td><td>Y</td></tr> </tbody> </table>		Guard	Code	None	N	Yes	Y	<table border="1"> <thead> <tr> <th>Continuity</th> <th>Code</th> </tr> </thead> <tbody> <tr><td>None</td><td>N</td></tr> <tr><td>Yes</td><td>Y*</td></tr> </tbody> </table> <p>*Earth continuity not available in UL version</p>		Continuity	Code	None	N	Yes	Y*	<table border="1"> <thead> <tr> <th>Option</th> <th>Code</th> </tr> </thead> <tbody> <tr><td>None</td><td>N</td></tr> <tr><td>Blanking plug</td><td>P</td></tr> <tr><td>Telephone</td><td>T*</td></tr> </tbody> </table> <p>*Telephone option not available in UL version</p>		Option	Code	None	N	Blanking plug	P	Telephone	T*	<table border="1"> <thead> <tr> <th>Voltage</th> <th>Code</th> </tr> </thead> <tbody> <tr><td>24V d.c.</td><td>024</td></tr> <tr><td>110V a.c.</td><td>110</td></tr> <tr><td>240V a.c.</td><td>240</td></tr> </tbody> </table> <p>Other voltage available, please specify</p>		Voltage	Code	24V d.c.	024	110V a.c.	110	240V a.c.	240	<table border="1"> <thead> <tr> <th>Colour</th> <th>Code</th> </tr> </thead> <tbody> <tr><td>Clear</td><td>C</td></tr> <tr><td>Red</td><td>R</td></tr> <tr><td>Blue</td><td>B</td></tr> <tr><td>Green</td><td>G</td></tr> <tr><td>Yellow</td><td>Y</td></tr> <tr><td>Amber</td><td>A</td></tr> </tbody> </table>		Colour	Code	Clear	C	Red	R	Blue	B	Green	G	Yellow	Y	Amber	A	<table border="1"> <thead> <tr> <th>Fixing</th> <th>Code</th> </tr> </thead> <tbody> <tr><td>Direct mount without backstrap</td><td>D</td></tr> <tr><td>Direct mount with backstrap</td><td>B</td></tr> </tbody> </table>		Fixing	Code	Direct mount without backstrap	D	Direct mount with backstrap	B	<table border="1"> <thead> <tr> <th>Label</th> <th>Code</th> </tr> </thead> <tbody> <tr><td>None</td><td>N</td></tr> <tr><td>Yes</td><td>Y*</td></tr> </tbody> </table> <p>*Please specify</p>		Label	Code	None	N	Yes	Y*	<table border="1"> <thead> <tr> <th>Colour</th> <th>Code</th> </tr> </thead> <tbody> <tr><td>Natural black</td><td>N</td></tr> <tr><td>Red</td><td>R</td></tr> <tr><td>Blue</td><td>B</td></tr> <tr><td>Yellow</td><td>Y</td></tr> <tr><td>Grey</td><td>G</td></tr> <tr><td>White</td><td>W</td></tr> <tr><td>Special</td><td>S*</td></tr> </tbody> </table> <p>*Please specify</p>		Colour	Code	Natural black	N	Red	R	Blue	B	Yellow	Y	Grey	G	White	W	Special	S*
Certification	Code																																																																																																												
Uncertified	W																																																																																																												
ATEX	B																																																																																																												
IECEX	J																																																																																																												
UL	UL																																																																																																												
UL(ordinary locations)	UW																																																																																																												
UL Marine	UM																																																																																																												
INMETRO	DM																																																																																																												
Fpm	Code																																																																																																												
60/min	06																																																																																																												
Guard	Code																																																																																																												
None	N																																																																																																												
Yes	Y																																																																																																												
Continuity	Code																																																																																																												
None	N																																																																																																												
Yes	Y*																																																																																																												
Option	Code																																																																																																												
None	N																																																																																																												
Blanking plug	P																																																																																																												
Telephone	T*																																																																																																												
Voltage	Code																																																																																																												
24V d.c.	024																																																																																																												
110V a.c.	110																																																																																																												
240V a.c.	240																																																																																																												
Colour	Code																																																																																																												
Clear	C																																																																																																												
Red	R																																																																																																												
Blue	B																																																																																																												
Green	G																																																																																																												
Yellow	Y																																																																																																												
Amber	A																																																																																																												
Fixing	Code																																																																																																												
Direct mount without backstrap	D																																																																																																												
Direct mount with backstrap	B																																																																																																												
Label	Code																																																																																																												
None	N																																																																																																												
Yes	Y*																																																																																																												
Colour	Code																																																																																																												
Natural black	N																																																																																																												
Red	R																																																																																																												
Blue	B																																																																																																												
Yellow	Y																																																																																																												
Grey	G																																																																																																												
White	W																																																																																																												
Special	S*																																																																																																												