

Right angle adaptors - FG, FK & FN

Technical specification

Right angle adaptors provide a means of connection where protrusion space is limited, while simultaneously if necessary, converting the entry thread to that of a different type or reducing size and/or gender of the female thread.

Right angle adaptors are available in male to female (type FG), male to male (type FK) and female to female (type FN) versions.

Raxton adaptors are marked with the applicable approval number and size.



Type FG (M-F)
Option A



Type FG (M-F)
Option B
(available in M20 & M25)

Certifications and compliances



[Download certificates and documents here](#)

Code of protection categories

ATEX: I M2, II 2 GD
IECEX: Ex db I/IIC Mb/Gb, Ex e I/IIC Mb/Gb, Ex tb IIC Db
(Aluminium not mining)

Compliance standards

ATEX: EN 60079-0, EN 60079-1, EN60079-7, EN60079-31
IECEX: IEC 60079-0, IEC 60079-1, IEC 60079-7, IEC 60079-31

Certificate details

ATEX: ITS16ATEX101337U
IECEX: IECEX ITS 16.0010U
INMETRO: NCC 18.0133X
EAC: RU C-GB.M1062.B.00445-19

Temperature

Ex e, Ex tb Temperature range: -60°C to + 200°C
For more information, please contact us.

Ingress protection (IP):

IP64 when fitted without sealing washer. IP66/IP68 when fitted with washer or thread sealant according to manufacturer's instructions.

Product dimensions - option A

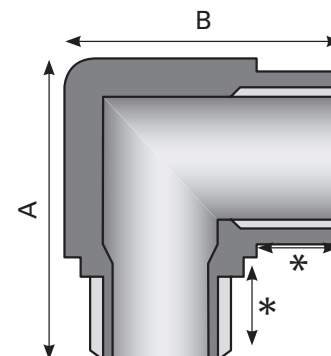
| Thread | Height (A) (mm) | Width (B) (mm) | Male bore size (mm) | Female bore size (mm) |
|--------|-----------------|----------------|---------------------|-----------------------|
| M16 | 45.0 | 40.0 | 9.0 | 14.0 |
| M20 | 51.0 | 45.0 | 15.0 | 18.0 |
| M25 | 57.0 | 50.0 | 20.8 | 23.0 |
| M32 | 66.0 | 57.0 | 26.8 | 30.0 |
| M40 | 75.0 | 65.0 | 33.5 | 38.0 |
| M50 | 86.0 | 75.0 | 48.0 | 44.0 |
| M63 | 101.5 | 90.0 | 61.0 | 55.0 |
| M75 | 119.0 | 105.0 | 73.0 | 66.5 |

Other sizes / threads are available upon request.

Product dimensions - option B

| Thread | Height (A) (mm) | Width (B) (mm) | Male bore size (mm) | Female bore size (mm) |
|--------|-----------------|----------------|---------------------|-----------------------|
| M20 | 56.0 | 46.0 | 12.0 | 14.0 |
| M25 | 62.0 | 51.0 | 17.0 | 18.0 |

* Option B available in brass only.



* Minimum 8 full threads parallel, 5 full threads taper. (Exd)