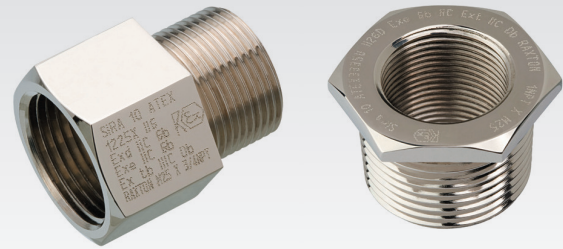


# Metallic adaptors and reducers - AB & BB

## Technical specification

Raxton Exd/Exe adaptors and reducers provide a means of connection between dissimilar thread forms or sizes. Metallic adaptors have a hexagonal body; if space is a critical factor, round adaptors can be offered with an equivalent diameter of the standard hexagonal item.

Raxton adaptors and reducers are marked with the applicable approval number and size.



Type AB Hex

Type BB Hex

### Certifications and compliances



### Code of protection categories

ATEX: I M2, Ex db I/IIC Mb/Gb, Ex eb IIC Gb, Ex tb IIIC Db

IECEX/

INMETRO/

EAC: Ex d I/IIC, Ex e I/IIC, Ex tb IIIC Db

CSA: CI I Zn 1 AEx db IIC Gb, Ex db IIC Gb (see certificate for threadforms & material details)

CCC: Ex d IIC Gb, Ex e IIC Gb, Ex tD A21 IP6X

### Compliance standards

ATEX/EAC: EN 60079-0, EN 60079-1, EN 60079-7, EN 60079-31

INMETRO: ABNT NBR IEC 60079-0, ABNT NBR IEC 60079-1, ABNT NBR IEC 60079-7, ABNT NBR IEC 60079-31

IECEX: IEC 60079-0, IEC 60079-1, IEC 60079-7, IEC 60079-31

CSA: CSA-C22.2 No. 60079-0, CSA-C22.2 No. 60079-1 ANSI/UL 60079-0, ANSI/UL 60079-1

CCC: GB 3836.1-2010, GB 3836.2-2010, GB 3836.3-2010, GB 12476.1-2013, GB 12476.5-2013

### Certificate details

ATEX: ITS16ATEX101336X

IECEX: IECEX ITS16.0011X

CSA: CSA 200455-1003277 (brass and stainless only)

EAC: TC RUC-G B.M.062.B.00447/19

INMETRO: NCC 18.0133X

CCOE: P393297/1

CCC: 2020322313001350 (Adaptors), 2020322313001351 (Reducers)

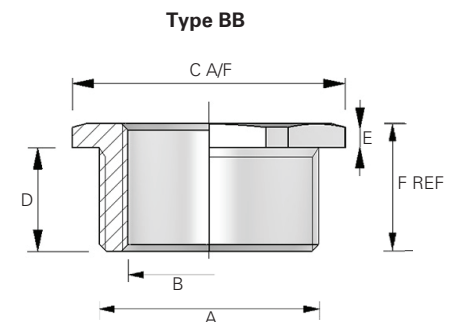
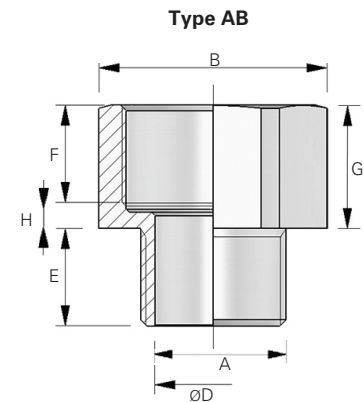
### Temperature

-60°C to +200°C ; depending on O-ring or sealing washer used

### Ingress protection (IP):

Independently tested to IP66 / IP68 when fitted in accordance to manufacturer's instructions.

[Download certificates and documents here](#)



# Metallic adaptors and reducers - AB & BB

## Dimensions

### Type AB

Metallic adaptors are available for up to two step sizing, e.g. M20 male x M32 female  
Other sizes / threads are available upon request.

A	B	C	ØD	E	F	G	H
Male metric (6g)	Female metric (6H)	A/F	Bore	Thread length	Thread depth	Ref	Hex wall
M12	M12	15.9	7.0	15.0	17.0	21.0	4.0
	M16	19.1	7.0	15.0	17.0	21.0	4.0
M16	M16	19.1	10.4	15.0	17.0	21.0	4.0
	M20	24.0	10.4	15.0	17.0	21.0	4.0
	M25	30.5	10.4	15.0	17.0	21.0	4.0
M20	M20	24.0	14.4	15.0	17.0	21.0	4.0
	M25	30.5	14.4	15.0	17.0	21.0	4.0
	M32	37.6	14.4	15.0	17.0	22.0	5.0
M25	M25	30.5	19.4	15.0	17.0	21.0	4.0
	M32	37.6	19.4	15.0	17.0	22.0	5.0
M32	M32	37.6	26.8	15.0	17.0	22.0	5.0
	M40	47.2	26.8	15.0	17.0	22.0	5.0
	M50	55.9	26.8	15.0	17.0	22.0	5.0
M40	M40	47.2	33.5	15.0	17.0	22.0	5.0
	M50	55.9	33.5	15.0	17.0	22.0	5.0
M50	M50	55.9	42.8	15.0	17.0	22.0	5.0
	M63	70.1	42.8	15.0	17.0	22.0	5.0
M63	M63	70.1	54.4	15.0	17.0	22.0	5.0
	M75	80.0	54.4	15.0	17.0	22.0	5.0
M75	M75	80.0	66.7	15.0	17.0	22.0	5.0

### Type BB

Other sizes / threads are available upon request.

A	B	C	D	E	F
Male metric (6g)	Female metric (6H)	A/F	Thread length	Hex length	Total length
M16	M12 & BELOW	19.1	15.0	4.0	19.0
M20	M16 & BELOW	24.0	15.0	4.0	19.0
M25	M20 & BELOW	27.9	15.0	4.0	19.0
M32	M25 & BELOW	37.5	15.0	4.0	19.0
M40	M32 & BELOW	47.2	15.0	5.0	20.0
M50	M40 & BELOW	55.9	15.0	6.0	21.0
M63	M50 & BELOW	70.1	15.0	7.0	22.0
M75	M63 & BELOW	80.0	15.0	8.0	23.0
M80	M63 & BELOW	90.0	20.0	9.0	29.0
M90	M80 & BELOW	95.0	20.0	10.0	30.0
M100	M90 & BELOW	110.0	20.0	11.0	31.0