

MTL4582B - MTL5582B RESISTANCE ISOLATOR

to repeat RTD signals

The MTLx582B connects to a 2-, 3-, or 4-wire resistance temperature device (RTD) or other resistance located in a hazardous area, isolates it and repeats the resistance to a monitoring system in the safe area. The module is intended typically (but not exclusively) for use with Pt100 3-wire RTDs. Switches enable selection of 2-, 3-, or 4-wire RTD connection. The MTLx582B should be considered as an alternative, non-configurable MTLx575, for use in RTD applications where a resistance input is preferred or needed instead of 4/20mA. The design is notable for its ease of use and repeatability. The number of wires which can be connected on the safe-area side of the unit is independent of the number of wires which can be connected on the hazardous-area side. The module drives upscale in the case of open circuit detection.

SPECIFICATION

See also common specification



Number of channels

One

Location of RTD

Zone 0, IIC, T4 hazardous area
Div. 1, Group A, hazardous location

Resistance source

2-, 3-, or 4-wire* RTDs to BS 1904/DIN 43760 (100Ω at 0°C)
*user selectable by switches (factory set for 3-wire)

Resistance range

10Ω to 400Ω

RTD excitation current

200μA nominal

Output configuration

2, 3 or 4 wires (independent of mode selected for hazardous area terminals)

Output range

10Ω to 400Ω (from a 100μA to 5mA source)

Temperature drift

±10mΩ/°C typical (0.01%/°C @ 100Ω)

Response time

To within 4% of final value within 1s

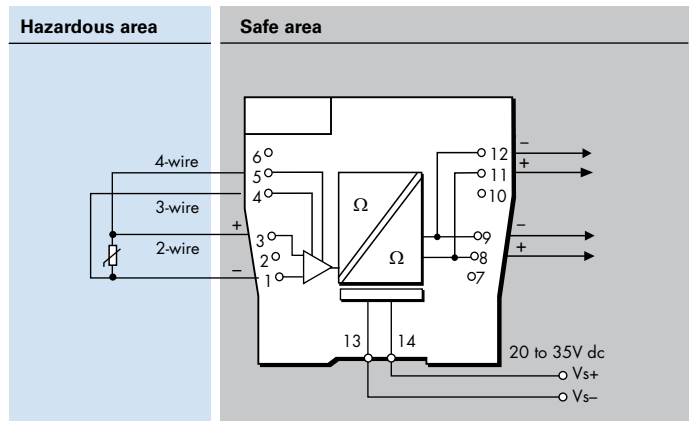
Safety drive on open-circuit sensor

Upscale to 420Ω nominal

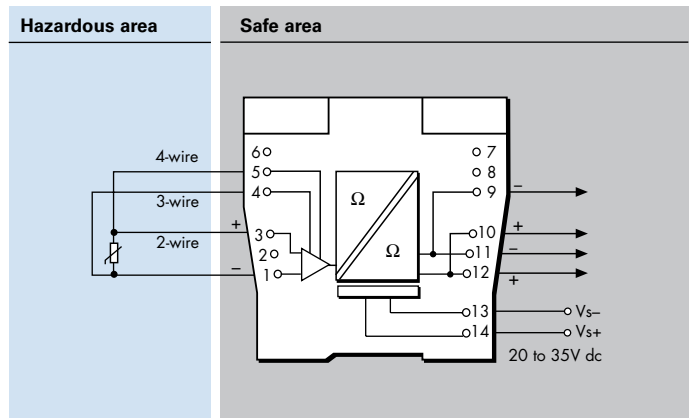
Transfer accuracy@20°C

<0.15Ω at excitation current 1 - 5mA
<0.25Ω at excitation current 0.5 - 1mA

MTL4582B



MTL5582B



LED indicator

Green: power indication

Power requirements, Vs

33mA at 24V
35mA at 20V
28mA at 35V

Maximum power dissipation within unit

0.8W at 24V
1.0W at 35V

Safety description

Terminals 1 and 3

$U_o = 1.2V$ $I_o = 4mA$ $P_o = 1.2mW$ $U_m = 253V$ rms or dc

Non-energy-storing apparatus $\leq 1.5V$, $\leq 0.1A$, $\leq 25mW$; can be connected without further certification into any IS loop with an open circuit voltage < 5V.

Terminals 1, 3, 4 and 5

$U_o = 6.51V$ $I_o = 10mA$ $P_o = 17mW$



SIL capable

These models have been assessed for use in IEC 61508 functional safety applications up to SIL 1.

See data on MTL web site and refer to the safety manual.



Powering Business Worldwide

Eaton Electric Limited,

Great Marlings, Butterfield, Luton
Beds, LU2 8DL, UK.
Tel: + 44 (0)1582 723633 Fax: + 44 (0)1582 422283
E-mail: mtlenquiry@eaton.com
www.mtl-inst.com

© 2018 Eaton
All Rights Reserved
Publication No.
EPSx582B Rev4 120218

EUROPE (EMEA):

+44 (0)1582 723633 mtlenquiry@eaton.com

THE AMERICAS:

+1 800 835 7075 mt-us-info@eaton.com

ASIA-PACIFIC:

+65 6 645 9888 sales.mtlsing@eaton.com

The given data is only intended as a product description and should not be regarded as a legal warranty of properties or guarantee.

In the interest of further technical developments, we reserve the right to make design changes.