



Type 414 81..



Type GHG 414 82



Type GHG 414 81

Technical data

Ex-control stations Type 414 81 | Type 414 82

Marking accd. to 2014/34/EU	Ⓢ II 2 G Ex ed ib m IIC T6 Ⓢ II 2 D Ex tD A21 IP66 T80 °C	
EC-Type Examination Certificate	PTB 00 ATEX 3117	
IECEX Certificate of Conformity	IECEX BKI 04.0003	
Marking accd. to IECEx	Ex e II T6, Ex e ib IIC T6, Ec ed IIC T6 or Ex ed ib IIC T6	
Permissible ambient temperature	-20 °C up to +40 °C -55 °C up to +55 °C (option)	
Rated voltage	690 V AC (with control switch GHG 23 up to 500 V)	
Rated current	16 A (with control switch GHG 23 max. 10 A)	
Rated making-/rated breaking capacity accd. EN 60947-5-1	Ex41 AC-15: U_g 250 V / I_g 6 A U_g 500 V / I_g 4 A DC-13: U_g 24 V / I_g 6 A U_g 220 V / I_g 1 A with gold contact points max. 0.4 A	Ex23 AC-15: U_g 230 V / I_g 6 A U_g 500 V / I_g 4 A DC-13: U_g 24 V / I_g 2 A U_g 230 V / I_g 0.5 A
Connecting terminals	2 x 4 mm ²	
Protection class	I	
Degree of protection accd. to EN 60529	IP66	
Cable glands/Gland plates/Enclosure drilling	1 x thread Ø 21 mm for cable gland M20	
Enclosure material	Stainless steel AISI 316 L	

Type 414 81

Dimensions (L x W x H)	166 x 140 x 76 mm
Weight (empty)	1.40 kg

Type 414 82

Dimensions (L x W x H)	286 x 140 x 76 mm
Weight (empty)	2.10 kg

Type 414 81 with measuring instrument AM 72

Movement	Moving iron	Moving coil
Marking accd. to 2014/34/EU	Ⓢ II G Ex e II	Ⓢ II G Ex ib IIC
Accuracy	Class 2.5	Class 1.5
Overload range	10-fold -25 sec. 25-fold - 4 sec. 50-fold - 1 sec. indicated 1:1.5	10-fold -5 sec.
Measuring range	n / 1A 0 - 25 A direct	0 - 20 mA 4 - 20 mA
Inductance Li	-	≤ 0.1 mH
Capacitance Ci	-	≤ 0.1 nF
Open circuit voltage max. Ui	-	30 V
Short circuit current max. Ii	-	150 mA
Connecting terminals	2 x 1.5 - 4 mm ²	
Weight	1.25 kg	

¹⁾ Base enclosure can be rotated after wards (entry from top or down)

Other versions available on request

Ex-stainless steel control stations GHG 414 81



Type 414 81...01



Type 414 81...02



Type 414 81...03



Type 414 81...04

4 Ordering details Type 414 81 with 2 built-in components

Content*	Built-in components	Weight approx.	Order No.
	2 x pushbutton DRT NO + 1 NC each label: "0, I, START, STOP"	1.80 kg	GHG 414 8100 R0001
X1 — — X2 	1 x signal lamp SIL 20-250 V AC/DC coloured lens cover: „white, red, green, yellow“ 1 x double pushbutton DDT 1 NO + 1 NC label: "0, I, START, STOP"	1.85 kg	GHG 414 8100 R0002
	1 x double pushbutton DDT 1 NO + 1 NC label: "0, I, START, STOP" 1 x mushroom-head pushbutton SGTE 1 NO + 1 NC "emergency stop"	1.85 kg	GHG 414 8100 R0003
1 — — 2 	1 x measuring instrument AM45 CT connection n/1A Scale 0 – 100%/150% 1 x double pushbutton DDT 1 NO + 1 NC label: "0, I, START, STOP"	1.85 kg	GHG 414 8100 R0004

*Without external fixing lugs (see accessories NO. 9.30)



Type 414 82...03



Type 414 82...02



Type 414 82...01

Ordering details Type 414 82 with 4 built-in components

Content*	Built-in components	Weight approx.	Order No.
<p>X1 ⊗ X2</p>	<p>1 x signal lamp SIL 20-250 V AC/DC coloured lens cover: „white, red, green, yellow“ 2 x pushbutton DRT 1 NO + 1 NC label: “0, I, START, STOP” 1 x mushroom-head pushbutton SGT 1 NO + 1 NC “emergency stop”</p>	2.80 kg	GHG 414 8200 R0001
<p>X1 ⊗ X2</p>	<p>2 x signal lamp SIL 20-250 V AC/DC coloured lens cover: „white, red, green, yellow“ 2 x double pushbutton DDT 1 NO + 1 NC label: “0, I, START, STOP”</p>	2.80 kg	GHG 414 8200 R0002
<p>X1 ⊗ X2</p>	<p>1 x signal lamp SIL 20-250 V AC/DC coloured lens cover: „white, red, green, yellow“ 1 x double pushbutton DDT 1 NO + 1 NC label: “0, I, START, STOP” 1 x mushroom-head pushbutton SGT 1 NO + 1 NC “emergency stop” 1 x key-operated switch 2 NO SW 5 “engaging-engaging-engaging” label: “I 0 II”</p>	2.90 kg	GHG 414 8200 R0003

*Without external fixing lugs (see accessories NO. 9.30)

Ex-stainless steel control stations GHG 414 81



Type 414 81..

4 Ordering details Type 414 81 with measuring instrument AM72

Content	Movement	Weight approx.	Order No.
Version direct measurement with 1 x threaded entry Ø 21 mm (without external fixing lugs)			
0 - 1 / 1.5 A	Moving iron	1.25 kg	GHG 414 8181 R0002
0 - 2.5 / 3.75 A	Moving iron	1.25 kg	GHG 414 8181 R0003
0 - 5 / 7.5 A	Moving iron	1.25 kg	GHG 414 8181 R0004
0 - 10 / 15 A	Moving iron	1.25 kg	GHG 414 8181 R0005
0 - 16 / 24 A	Moving iron	1.25 kg	GHG 414 8181 R0007
0 - 20 / 24 mA 0-100% / 120% (Ri =320 Ω)	Moving coil	1.35 kg	GHG 414 8181 R0033
4 - 20 / 24 mA 0-100% / 120% (Ri =320 Ω)	Moving coil	1.35 kg	GHG 414 8181 R0035

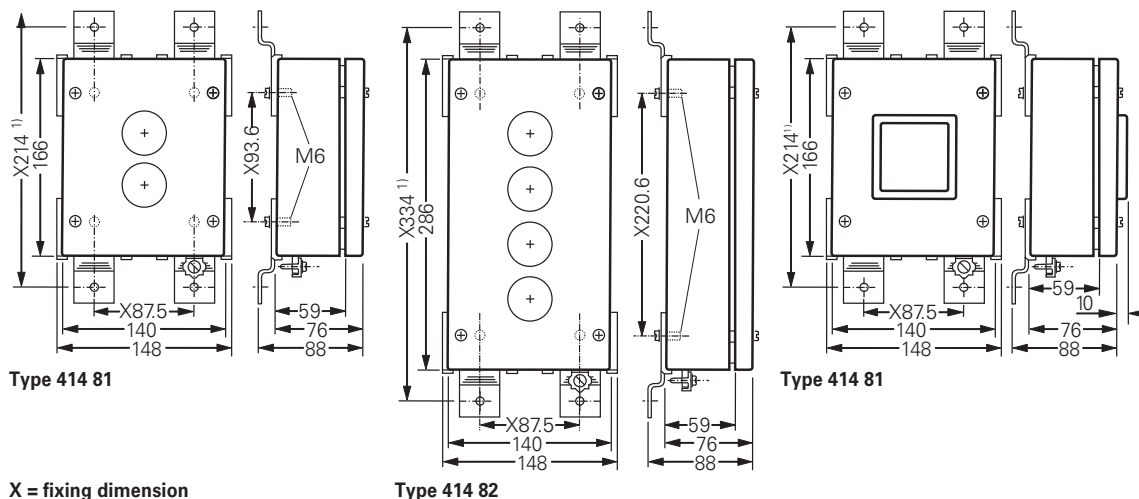
Version CT connection n/1A with 1 x threaded entry Ø 21 mm (without external fixing lugs)

0 - 1 / 1.5 A	Moving iron	1.25 kg	GHG 414 8182 R0002
0 - 2.5 / 3.75 A	Moving iron	1.25 kg	GHG 414 8182 R0003
0 - 5 / 7.5 A	Moving iron	1.25 kg	GHG 414 8182 R0004
0 - 10 / 15 A	Moving iron	1.25 kg	GHG 414 8182 R0005
0 - 15 / 22.5 A	Moving iron	1.25 kg	GHG 414 8182 R0007
0 - 20 / 30 A	Moving iron	1.25 kg	GHG 414 8182 R0008
0 - 30 / 45 A	Moving iron	1.25 kg	GHG 414 8182 R0009
0 - 40 / 60 A	Moving iron	1.25 kg	GHG 414 8182 R0010
0 - 50 / 75 A	Moving iron	1.25 kg	GHG 414 8182 R0011
0 - 60 / 90 A	Moving iron	1.25 kg	GHG 414 8182 R0012
0 - 75 / 112.5 A	Moving iron	1.25 kg	GHG 414 8182 R0013
0 - 100 / 150 A	Moving iron	1.25 kg	GHG 414 8182 R0014
0 - 100% / 150%	Moving iron	1.25 kg	GHG 414 8182 R0033

Accessories

Type	Order No.
External fixing lugs (2 pcs)	GHG 610 1941 R0013

Dimension drawing



¹⁾ Scope of delivery without fixing lugs