



## Ex emergency pull-wire switch

Ex ZS 80 1Ö/1S WVD - 3m

Article no.: 1181373 (old article no.: 72042301)

### Product features

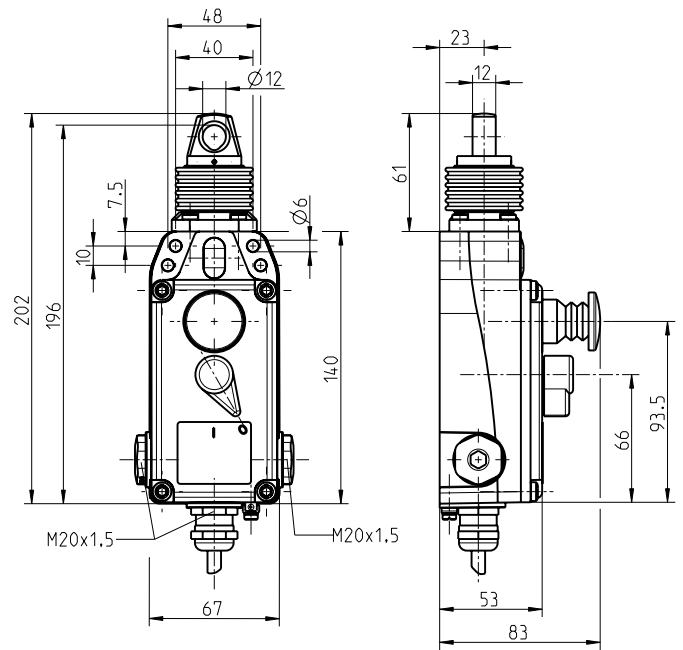


- Ex zone 1 and 21
- Metal enclosure
- 2 contacts
- Position indicator and integrated emergency-stop push button
- Wire length up to 100 m
- Spring force variant: 100 N
- Lever for release and position indication
- Watertight collar
- Wire pull and breakage detection
- Attention: Please state required international approvals with your order!

#### Notes

- At 5 m distance intermediate wire supports are required. One wire thimble is provided.

### Dimensions



### Technical data

#### Applied standards

EN 60947-5-1, EN 60947-5-5, EN IEC 60079-0, EN 60079-1, EN 60079-31, EN ISO 13850, EN ISO 13849-1

#### Enclosure

aluminium die-cast, powder-coated

#### Cover

thermoplastic, glass-fibre reinforced, shockproof, self-extinguishing UL 94 V-0

#### Degree of protection

IP65 (EN 60079-0 + IEC/EN 60529), IP67 (IEC/EN 60529)

#### B<sub>10d</sub> (10 % load)

200 000

#### T<sub>M</sub>

max. 20 years

#### Switch insert

1 x Ex 14

#### Contact material

silver

#### Switching system

slow action, positive break NC contacts ⊖

#### Switching elements

1 NC/1 NO contact, type Zb

#### Connection

pre-wired cable H05VV-F

#### Cable cross-section

4 x 0.75 mm<sup>2</sup> (incl. conductor ferrules)

#### Cable length

3 m

#### Rated impulse withstand voltage U<sub>imp</sub>

4 kV

#### Rated insulation voltage U<sub>i</sub>

250 V

#### Conventional thermal current I<sub>the</sub>

T6: 6 A, T5: 3 A

#### Utilisation category

AC-15; DC-13

#### Rated operating current/voltage I<sub>e</sub>/U<sub>e</sub>

6 A/250 VAC; 0.25 A/230 VDC

#### Short-circuit protection

6 A gG/gN fuse

#### Ambient temperature

T6: -20 °C ... +65 °C,  
T5: -20 °C ... +75 °C, +90 °C with max. 3 A

#### Mechanical life

> 100 000 operations

#### Max. wire length

100 m

Errors and omissions excepted.



## Ex emergency pull-wire switch

Ex ZS 80 1Ö/1S WVD - 3m

Article no.: 1181373 (old article no.: 72042301)

### Technical data (contd.)

---

#### Impact energy

max. 7 J

#### Ex marking

⊕ II 2G Ex d IIC T6/T5 Gb,

⊕ II 2D Ex tb IIIC T80 °C/T95 °C Db

IECEX Ex d IIC T6/T5 Gb,

Ex tb IIIC T80 °C/T95 °C Db

#### Approvals

PTB 11 ATEX 1003 X

IECEX PTB 07.0034 X

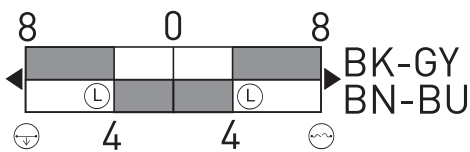


#### Weight

964 g

### Switching diagram

---



⊕ Latching point

⊖ Wire breakage detection

⊕ Wire pull detection

Errors and omissions excepted.