

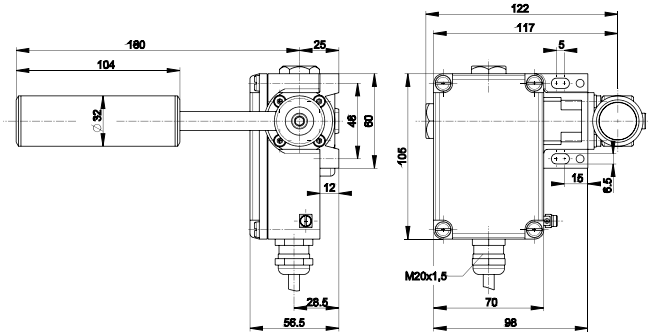


Ex belt alignment switch Ex ZS 73 SR 1S/1Ö UE - 3m - mid-position Article no.: 1289270

Product features

- Ex zone 1 and 21
- Metal enclosure
- 2 contacts
- Cable
- Mid-position centered (lever springs back to mid-position)
- Belt alignment lever adjustable in 12° steps using a self-locking mechanism
- Belt-alignment roller made of stainless steel 1.4301
- Attention: Please state required international approvals with your order!

Dimensions



Technical data

Applied standards

EN 60947-5-1, EN IEC 60079-0, EN 60079-1, EN 60079-31, EN ISO 13849-1

Enclosure

aluminium die-cast, enamel finish

Cover

thermoplastic, glass-fibre reinforced, shockproof, self-extinguishing UL 94 V-0

Degree of protection

IP65 (IEC/EN 60529)

B_{10d} (10 % load)

2 million

T_M

max. 20 years

Switch insert

1 x Ex 14

Contact material

silver

Switching system

slow action, positive break NC contacts ⊖

Switching elements

1 NC/1 NO contact with contact overlapping, type Zb

Connection

pre-wired cable H05VV-F

Cable cross-section

4 x 0.75 mm² (incl. conductor ferrules)

Cable length

3 m

Rated impulse withstand voltage U_{imp}

4 kV

Rated insulation voltage U_i

250 V

Conventional thermal current I_{the}

T6: 6 A, T5: 3 A

Rated operating current/voltage I_e/U_e

6 A/250 VAC; 0.25 A/230 VDC

Utilisation category

AC-15; DC-13

Short-circuit protection

6 A gG/gN fuse

Ambient temperature

T6: -20 °C ... +65 °C,
T5: -20 °C ... +75 °C, +90 °C with max. 3 A

Mechanical life

> 1 million operations

Impact energy

max. 7 J

Ex marking

⊕ II 2G Ex d IIC T6/T5 Gb,
⊕ II 2D Ex tb IIIC T80 °C/T95 °C Db
IECEX Ex d IIC T6/T5 Gb,
Ex tb IIIC T80 °C/T95 °C Db

Approvals

PTB 11 ATEX 1003 X
IECEX PTB 07.0034 X



Weight

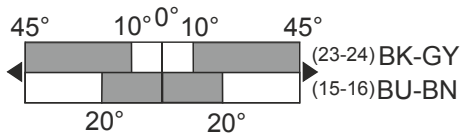
1288 g

Errors and omissions excepted.



Ex belt alignment switch
Ex ZS 73 SR 1S/1Ö UE - 3m - mid-position
Article no.: 1289270

Switching diagram



Errors and omissions excepted.