

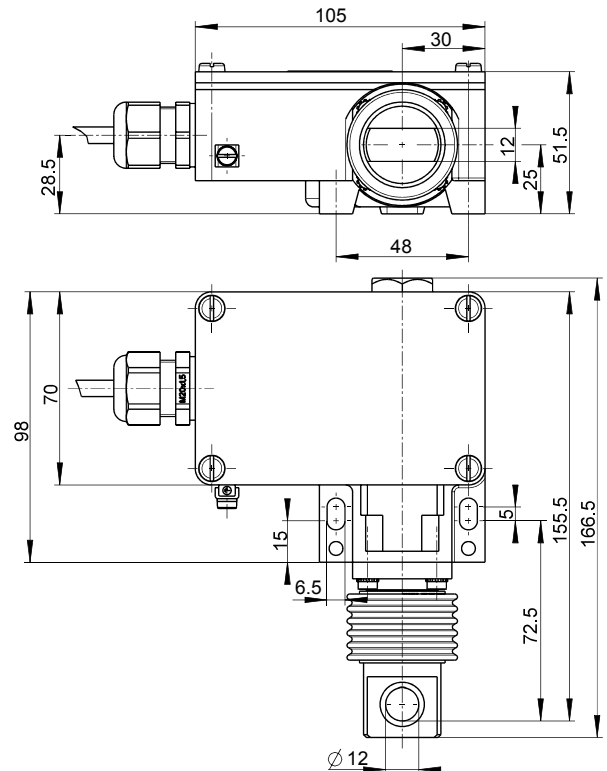


Ex anti-two-block switch Ex ZS 73 2Ö W -40°C HES 5m 120N Niro Article no.: 1208650

Product features

- Ex zone 1 and 21
- Pull-wire unit made of stainless steel 1.4404, hard-coated housing, cover made of stainless steel 1.4404, screws A2
- Cold-resistant down to -40 °C
- High degree of protection IP66 / IP67
- Watertight collar W for protection against penetration of dirt
- 2 contacts
- Tractive force 120 N (counterweight of min. 12 kg to pretension anti-two-block switch)
- For limiting the hoist height

Dimensions



Technical data

Applied standards

EN 60947-5-1, EN IEC 60079-0, EN 60079-1, EN 60079-31

Enclosure

aluminium die-cast, hard-coated, powder-coated, anthracite grey, similar to RAL 7016

Cover

stainless steel 1.4404, powder-coated, signal yellow, similar to RAL 1003

Degree of protection

for hazardous areas: IP65 (EN IEC 60079-0 + IEC/EN 60529)
for non-hazardous areas: IP66/67 (IEC/EN 60529)

B_{10d} (10 % load)

2 million

T_M

max. 20 years

Contact material

silver, gold-plated

Switching elements

2 NC contacts, type Zb

Switching system

slow action

Connection

cable BETAflam 145 flex

Cable cross-section

4 x 0.75 mm² (incl. conductor ferrules)

Cable length

5 m

Rated impulse withstand voltage U_{imp}

4 kV

Rated insulation voltage U_i

250 V

Conventional thermal current I_{the}

T6: 6 A, T5: 3 A

Utilisation category

AC-15; DC-13

Rated operating current/voltage I_e/U_e

6 A/250 VAC; 0.25 A/230 VDC

Errors and omissions excepted.



Ex anti-two-block switch Ex ZS 73 2Ö W -40°C HES 5m 120N Niro Article no.: 1208650

Technical data (contd.)

Short-circuit protection

6 A gG/gN fuse

Ambient temperature

T6: -40 °C ... +65 °C,

T5: -40 °C ... +75 °C, +90 °C with max. 3 A

Mechanical life

> 1 million operations

Impact energy

max. 7 J

Ex marking

⊕ II 2G Ex d IIC T6/T5 Gb,

⊕ II 2D Ex tb IIIC T80 °C/T95 °C Db

IECEx Ex d IIC T6/T5 Gb,

Ex tb IIIC T80 °C/T95 °C Db

Approvals

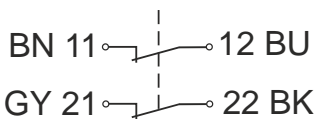
PTB 11 ATEX 1003 X

IECEx PTB 07.0034 X

Weight

1374 g

Contact diagram



Contact symbols are shown in a pretensioned condition caused by the counterweight.

Switching diagram

