



## Ex belt-rip detection switch Ex ZS 71 1Ö/1S WVD 3m 45N / Z Article no.: 1399327

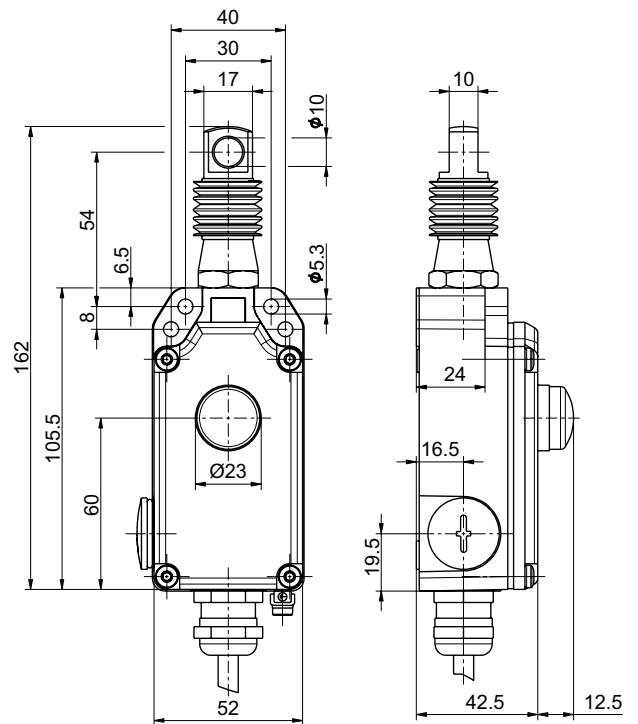
### Product features

- Ex zone 1 and 21
- Metal enclosure
- 2 contacts
- Compact design
- Wire length up to 35 m
- Spring force variant: 45 N
- Release by push button (VD)
- Watertight collar W for protection against penetration of dirt
- Attention: Please state required international approvals with your order!

### Notes

- At 3 m distance intermediate wire supports are required. One wire thimble is provided.

### Dimensions



### Technical data

#### Applied standards

EN 60947-5-1, EN 60947-5-5, EN IEC 60079-0, EN 60079-1, EN 60079-31, EN ISO 13850, EN ISO 13849-1

#### Enclosure

aluminium die-cast, powder-coated

#### Cover

thermoplastic, glass-fibre reinforced, shockproof, self-extinguishing UL 94 V-0

#### Degree of protection

IP65 (IEC/EN 60529)

#### B<sub>10d</sub> (10 % load)

200 000

#### T<sub>M</sub>

max. 20 years

#### Switch insert

1 x Ex 14

#### Contact material

silver

#### Switching system

slow action, positive break NC contacts  $\ominus$

#### Switching elements

1 NC/1 NO contact, type Zb

#### Connection

pre-wired cable H05VV-F

#### Cable length

3 m

#### Cable cross-section

4 x 0.75 mm<sup>2</sup> (incl. conductor ferrules)

#### Rated impulse withstand voltage U<sub>imp</sub>

4 kV

#### Rated insulation voltage U<sub>i</sub>

250 V

#### Conventional thermal current I<sub>the</sub>

T6: 6 A, T5: 3 A

#### Utilisation category

AC-15; DC-13

Errors and omissions excepted.



## Ex belt-rip detection switch Ex ZS 71 1Ö/1S WVD 3m 45N / Z Article no.: 1399327

### Technical data (contd.)

**Rated operating current/voltage  $I_e/U_e$**   
6 A/250 VAC; 0.25 A/230 VDC

**Short-circuit protection**  
6 A gG/gN fuse

**Ambient temperature**  
T6: -20 °C ... +65 °C,  
T5: -20 °C ... +75 °C, +90 °C with max. 3 A

**Mechanical life**  
> 100 000 operations

**Max. wire length**  
35 m

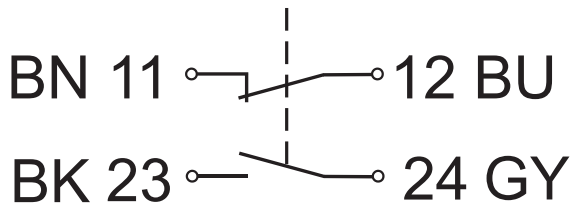
**Impact energy**  
max. 7 J

**Ex marking**  
⊕ II 2G Ex d IIC T6/T5 Gb,  
⊕ II 2D Ex tb IIIC T80 °C/T95 °C Db  
IECEX Ex d IIC T6/T5 Gb,  
Ex tb IIIC T80 °C/T95 °C Db

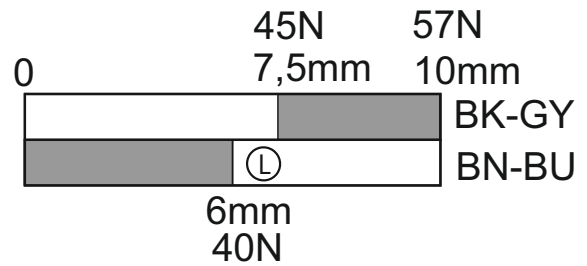
**Approvals**  
PTB 11 ATEX 1003 X  
IECEX PTB 07.0034 X



### Contact diagram



### Switching diagram



Ⓛ Latching point