



Ex Wireless inductive sensor Ex RF IS M12 nb-ST 0.5 m Article no.: 1488298

Product features

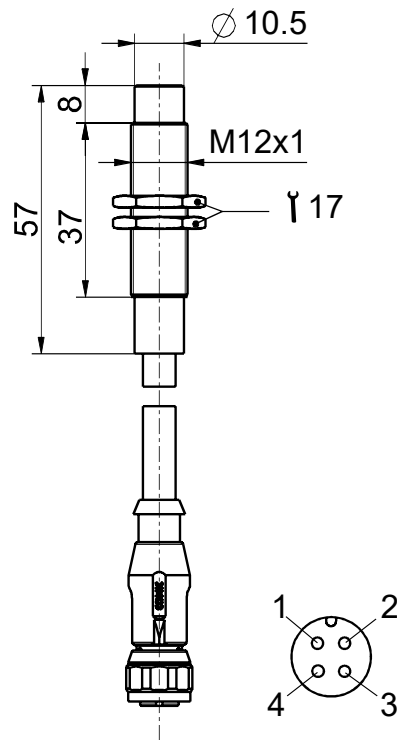


- Ex zone 1 and 21 in combination with universal transmitter Ex RF 96 ST
- Metal enclosure
- M12 x 1 thread
- Non-flush mounting
- With M12 coupling, 4-pole

Notes

- 2 mounting nuts are included in delivery

Dimensions



Technical data

Applied standards
EN 60947-5-2

Enclosure
brass, nickeled

Actuator
steel plate 12 x 12 x 1 mm, FE 360

Front cap
PVC, black

Back cap
PVC, black

Degree of protection
IP67 (IEC/EN 60529)

Connection
Coupling M12 x 1, 4-pole

Cable
PVC, blue

Cable length
0.5 m

Ambient temperature
-20 °C ... +60 °C

Rated insulation voltage U_i
75 VDC

Rated operating current I_e
0.2 mA

Rated operating voltage U_e
3 ... 5 VDC

Rated switching distance s_n
4 mm

Assured switching distance s_a
0 ... 3.24 mm

Real switching distance s_r
3.6 ... 4.4 mm

Hysteresis
approx. 10 %

Repeatability
≤ 5 %

Errors and omissions excepted.



Ex Wireless inductive sensor Ex RF IS M12 nb-ST 0.5 m Article no.: 1488298

Technical data (contd.)

Type of installation
non-flush

Switching frequency
see Ex RF 96 ST

Correction factors
Steel (Fe360) = 1; Stainless steel approx. 0.7; Brass approx. 0.5;
Aluminium approx. 0.4; Copper approx. 0.4

Note
The sensor may only be used in combination with an Ex RF 96
ST and is included within the ATEX and IECEx approvals for the
wireless Ex universal transmitter.

Ex marking
⊕ II 2G Ex ib IIC T4 Gb,
⊕ II 2D Ex ib IIIC T135 °C Db
IECEX Ex ib IIC T4 Gb,
Ex ib IIIC T135 °C Db

Approvals
BVS 19 ATEX E 009 X
IECEX BVS 19.0040X

Contact diagram

