



Ex Wireless position switch Ex RF 96 WH SW868 LBT Article no.: 1373452

Product features

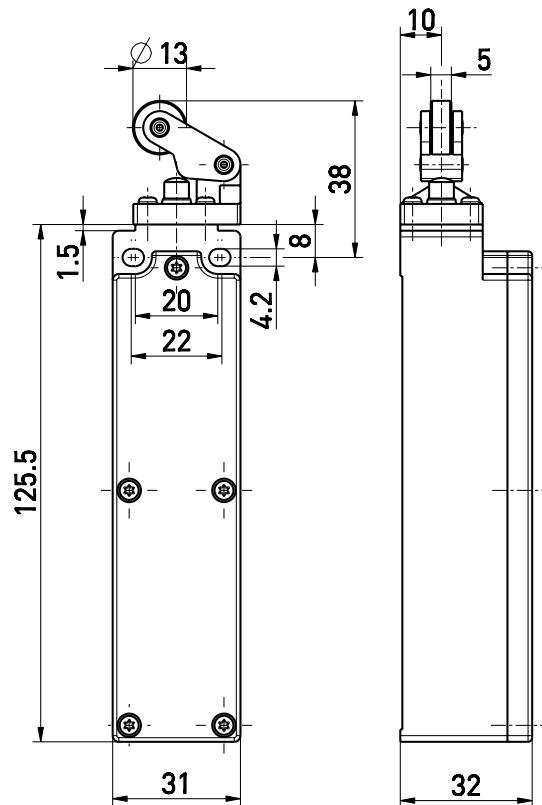


- Ex zone 1 and 21
- sWave® wireless technology
- Power supply by ex-proof lithium battery (exchange inside Ex areas possible)
- Thermoplastic enclosure
- Mounting details to EN 50047
- No wiring and cable laying required
- Easy programming of receiver
- Output signal can be individually configured at the receiver
- Actuator: Roller lever with collar WH
- Actuator type E to EN 50047
- Actuating speed max. 0.5 m/s with a vertical actuating angle of $\alpha = 40^\circ$ and $\beta = 25^\circ$
- Watertight collar for protection against penetration of dirt
- Wear-resistant plastic roller
- Actuator can be repositioned by 4 x 90°
- LBT - Listen before Talk Firmware

Notes

- With metal roller available on request
- Replacement batteries are only available from steute and are subject to air transportation regulations for hazardous materials. These regulations can be changed or modified at any time. Please contact us should you require further information.

Dimensions



General technical data

Applied standards

EN 60947-5-1, EN 61000-6-2, EN 61000-6-3, EN 301 489-1, EN 301 489-3, EN 300 220-1, EN 300 220-2, EN IEC 60079-0, EN 60079-11

Enclosure

thermoplastic, glass-fibre reinforced, shockproof, self-extinguishing UL 94 V-0

Tightening torque

M4 enclosure mounting screws: max 1.2 Nm
M2.5 cover screws: approx. 0.45 Nm

Degree of protection

IP20 (IEC/EN 60079-11), IP67 (IEC/EN 60529)

Switching system

micro switch

Ambient temperature

-20 °C ... +60 °C

Operation cycles

max. 12000 telegrams with repetitions/h

Actuating time

min. 80 ms

Mechanical life

> 1 million operations

Note

status signal – can be individually configured via radio receiver (delivery state: without status signal)
LBT – can be deactivated via radio receiver (e.g. in conjunction with repeaters)
transmission of battery voltage and switching condition

Ex marking

⊕ II 2G Ex ib IIC T4 Gb,
⊕ II 2D Ex ib IIIC T135 °C Db
IECEX Ex ib IIC T4 Gb,
Ex ib IIIC T135 °C Db

Approvals

BVS 19 ATEX E 009 X
IECEX BVS 19.0040X

Errors and omissions excepted.



Ex Wireless position switch Ex RF 96 WH SW868 LBT Article no.: 1373452

General technical data (contd.)

Wireless approvals
Europe: RED 2014/53/EU

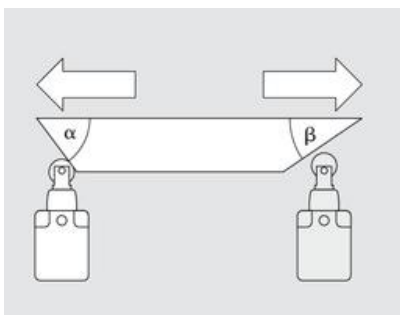
Wireless technology

Protocol sWave®	Channel bandwidth 350 kHz
Frequency 868.3 MHz (Europe)	Wireless range max. 450 m outdoors, max. 40 m indoors
Transmission power < 25 mW	Modulation type 2-FSK
Data rate 66 kbps	

Voltage supply

Voltage source Ex approved and certified batteries, manufacturer steute, Ex RF Bat 3,6 V/2,1 Ah, mat. no. 1381655, BVS 18 ATEX E 035 X, IECEx BVS 18.0056X	Nominal capacity 2.1 Ah with integrated protective circuit
System Li/SOCl ₂	Battery life depending on the switching frequency 1 s: approx. 800 days; 10 s: approx. 1500 days; 100 s: approx. 1700 days
Nominal voltage 3.6 V	

Actuating angles



α - Actuating angle from right of switch axis
 β - Actuating angle from left of switch axis as shown in picture

Errors and omissions excepted.