



## Ex Wireless universal transmitter Ex RF 96 ST SW868 LBT Article no.: 1275802

### Product features

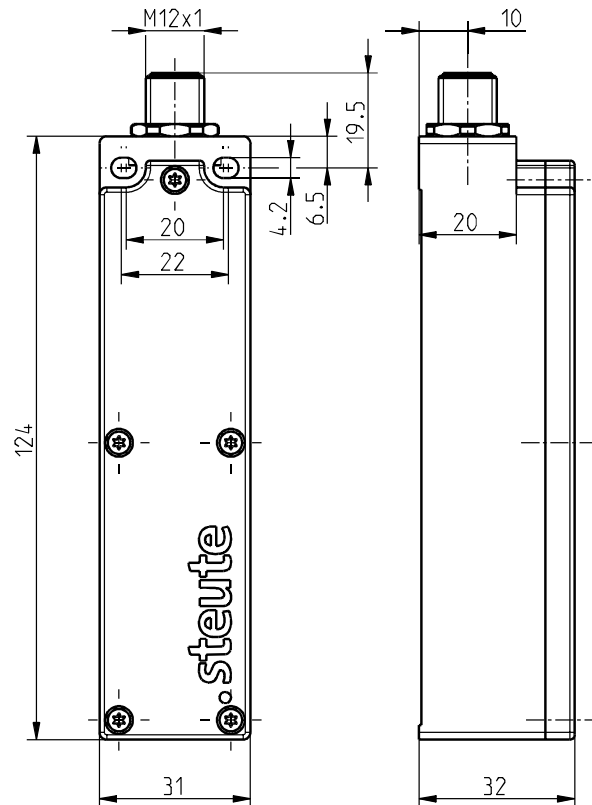


- Ex zone 1 and 21
- sWave® wireless technology
- Power supply by ex-proof lithium battery (exchange inside Ex areas possible)
- Thermoplastic enclosure
- Mounting details to EN 50047
- Plug-in connector M12
- No wiring and cable laying required
- Easy programming of receiver
- Output signal can be individually configured at the receiver
- LBT - Listen before Talk Firmware

### Notes

- The Ex RF 96 ST may be used in combination with an Ex wireless inductive sensor Ex RF IS.
- Connection of external switching contacts only on request and only after evaluation by steute!
- Replacement batteries are only available from steute and are subject to air transportation regulations for hazardous materials. These regulations can be changed or modified at any time. Please contact us should you require further information.

### Dimensions



### General technical data

#### Applied standards

EN 60947-5-1, EN 61000-6-2, EN 61000-6-3, EN 301 489-1, EN 301 489-3, EN 300 220-1, EN 300 220-2, EN IEC 60079-0, EN 60079-11

#### Enclosure

thermoplastic, glass-fibre reinforced, shockproof, self-extinguishing UL 94 V-0

#### Tightening torque

M4 enclosure mounting screws: max 1.2 Nm  
M2.5 cover screws: approx. 0.45 Nm

#### Degree of protection

IP20 (IEC/EN 60079-11), IP67 (IEC/EN 60529)

#### Connection

plug-in connector M12 x 1, 4-pole

#### Ambient temperature

-20 °C ... +60 °C

#### Switching frequency

max. 5 Hz

#### Standby current

215 µA (incl. sensor)

#### Actuating time

min. 80 ms

#### Note

status signal – can be individually configured via radio receiver (delivery state: without status signal)  
LBT – can be deactivated via radio receiver (e.g. in conjunction with repeaters)  
transmission of battery voltage and switching condition

#### Ex marking

⊕ II 2G Ex ib IIC T4 Gb,  
⊕ II 2D Ex ib IIIC T135 °C Db  
IECEx Ex ib IIC T4 Gb,  
Ex ib IIIC T135 °C Db

#### Approvals

BVS 19 ATEX E 009 X  
IECEx BVS 19.0040X

Errors and omissions excepted.



## Ex Wireless universal transmitter Ex RF 96 ST SW868 LBT Article no.: 1275802

### General technical data (contd.)

**Wireless approvals**  
Europe: RED 2014/53/EU

**Weight**  
120 g

### Wireless technology

**Protocol**  
sWave®

**Channel bandwidth**  
350 kHz

**Frequency**  
868.3 MHz (Europe)

**Wireless range**  
max. 450 m outdoors, max. 40 m indoors

**Transmission power**  
< 25 mW

**Modulation type**  
2-FSK

**Data rate**  
66 kbps

### Voltage supply

**Voltage source**  
Ex approved and certified batteries, manufacturer steute, Ex RF Bat 3,6 V/2,1 Ah, mat. no. 1381655, BVS 18 ATEX E 035 X, IECEx BVS 18.0056X

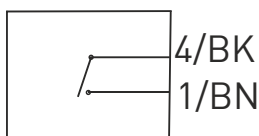
**Nominal capacity**  
2.1 Ah with integrated protective circuit

**System**  
Li/SOCl<sub>2</sub>

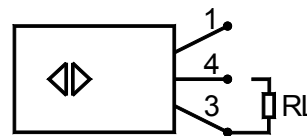
**Battery life**  
depending on the switching frequency  
1 s: approx. 500 days; 10 s: approx. 1000 days; 100 s: approx. 1100 days

**Nominal voltage**  
3.6 V

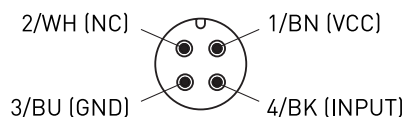
### External switch contact



### Sensors



### Plug-in configuration



NC = not connected

Colour coding only valid for  
coupling 4-poles mat. no. 1215497 and  
coupling 4-poles mat. no. 1262873

Errors and omissions excepted.