



## Ex safety sensor Ex RC Si M30 1Ö/1S - 5m Article no.: 1179281 (old article no.: 23003502)

### Product features

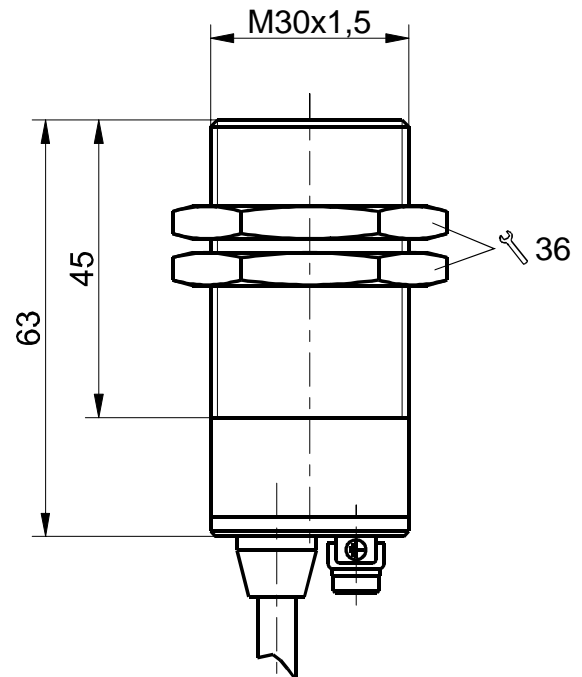


- Ex zone 1 and 21
- Metal enclosure
- Reed contacts, coded
- Actuation from front
- Switching distance up to 10 mm
- Attention: Please state required international approvals with your order!

#### Notes

- 2 mounting nuts are included in delivery
- The actuator is not included in the delivery of the switches

### Dimensions



### General technical data

#### Applied standards

EN 60947-5-1, EN 60947-5-2, EN 60947-5-3, EN IEC 60079-0, EN 60079-18, EN ISO 13849-1, EN ISO 14119

#### Enclosure

brass, nickered

#### Sensor type

type 4 interlocking device

#### Coding level

low coding

#### Tightening torque

mounting nut: max. 75 Nm

#### Degree of protection

IP67 (IEC/EN 60529)

#### Switching system

reed contacts

#### Switching elements

1 NC/1 NO contact

#### Connection

cable H05VV5-F 5G

#### Cable cross-section

5 x 0.5 mm<sup>2</sup>

#### Cable length

5 m

#### Rated operating current $I_e$

max. 125 mA

#### Rated operating voltage $U_e$

max. 30 VDC

#### Switching capacity

max. 3.75 W

#### Voltage drop at $I_e$

2.5 V

#### Short-circuit current $I_k$

max. 750 mA for 50 ms

#### Operation cycles

max. 1600/h

#### Rated switching distance $s_n$

10 mm

#### Assured switching distance »ON« $s_{aO}$

8 mm

#### Assured switching distance »OFF« $s_{aR}$

30 mm

Errors and omissions excepted.



**Ex safety sensor**  
**Ex RC Si M30 1Ö/1S - 5m**  
 Article no.: 1179281 (old article no.: 23003502)

### General technical data (contd.)

**Repeatability**  
 < 0.5 mm

**Hysteresis**  
 ≤ 14 mm

**Temperature class**  
 T6

**Ambient temperature**  
 -20 °C ... +70 °C

**Mechanical life**  
 > 10 million operations

**Impact energy**  
 max. 7 J

**Ex marking**

⊕ II 2G Ex mb IIC T6 Gb,  
 ⊕ II 2D Ex mb IIIC T80°C Db  
 IECEx Ex mb IIC T6 Gb,  
 Ex mb IIIC T80°C Db

**Approvals**

PTB 05 ATEX 2024 X  
 IECEx PTB 07.0008 X



**Weight**

600 g

### Safety-relevant data

**EN ISO 13849-1**  
 Performance Level PL e

**Category**  
 4

**B<sub>10d</sub> (10 % load)**  
 20 million

**T<sub>M</sub>**  
 max. 20 years

**MTTF<sub>d</sub>**  
 > 100 years

**DC/DC<sub>avg</sub>**  
 > 99 %

**h<sub>op</sub>**

8 h/day

**d<sub>op</sub>**

220 days/year

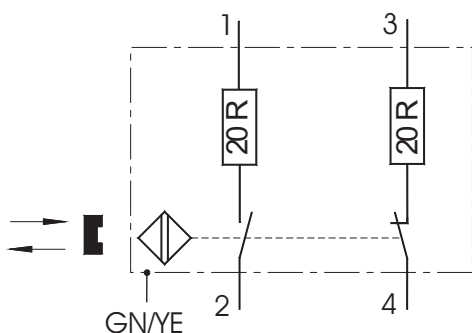
**t<sub>zyklus</sub>**

20 s

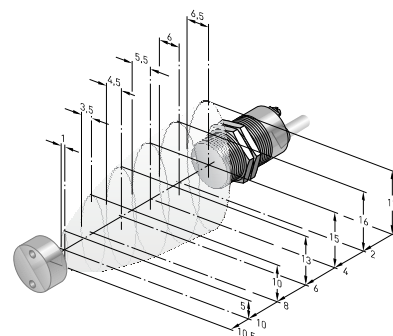
**Note**

The safety-related data are only valid in combination with a safety module, e.g. SRM 21 RT2 (mat. no. 1179203).

### Contact diagram



### Axial misalignment



Errors and omissions excepted.