



Ex inductive sensor Ex IS M18b 5ABBAB N 1GD 2m Article no.: 1202210

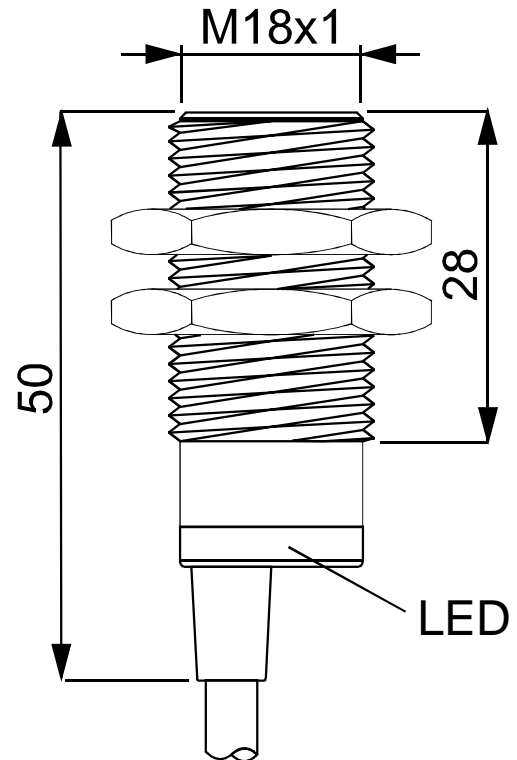
Product features

- Ex zone 0 and 20
- Stainless steel enclosure
- Flush mounting
- Long life, no mechanical wear
- Suitable for the food processing industry
- Insensitive to soiling
- With LED
- M18 x 1 thread
- With pre-wired cable
- Attention: Please state required international approvals with your order!

Notes

- 2 mounting nuts are included in delivery

Dimensions



Technical data

Applied standards

EN IEC 60079-0, EN 60079-11, EN 60079-26

Enclosure

stainless steel 1.4305

Front cap

POM

Degree of protection

IP66, IP67, IP68 (EN 60079-0 + IEC/EN 60529)

Connection

cable PUR blue

Cable diameter

4.5 mm

Cable cross-section

2 x 0.5 mm²

Cable length

2 m

Switching system

Namur to EN 60947-5-6

Rated switching distance s_n

5 mm

Correction factors

Steel (Fe360) = 1; Stainless steel approx. 0.7; Brass approx. 0.5;
Aluminium approx. 0.4; Copper approx. 0.4

Rated operating voltage range U_B

8.2 VDC

Current absorption

in presence of metal ≤ 1 mA; in absence of metal ≥ 3 mA

Switching frequency

1000 Hz

Repeatability

≤ 3 %

Protection circuit

Inductive interference protection, protection against polarity reversal, short-circuit and overload proof

Ambient temperature

-25 °C ... +60 °C

Errors and omissions excepted.



Ex inductive sensor Ex IS M18b 5ABBAB N 1GD 2m Article no.: 1202210

Technical data (contd.)

Ex marking

- ⊕ II 1G Ex ia IIC T6 Ga,
- ⊕ II 1D Ex ia IIIIC T85°C Da

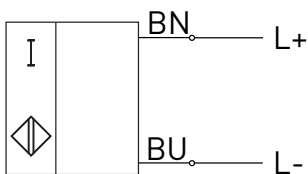
Approvals

- IMQ 14 ATEX 001
- IECEX IMQ 14.0001

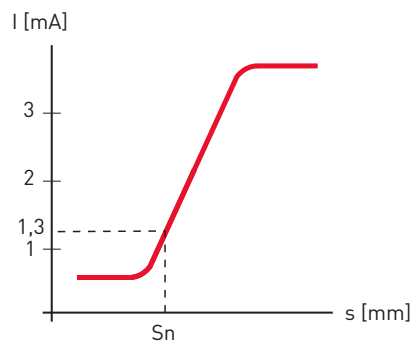
Weight

109 g

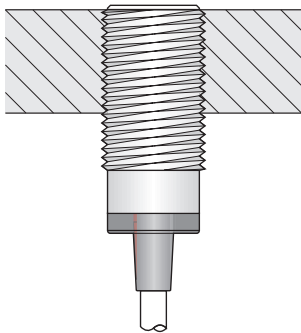
Contact diagram



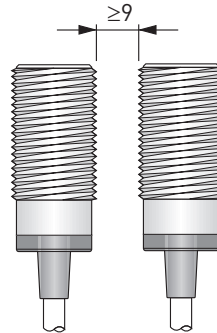
Switching behaviour



Flush mounting



Side by side mounting



Errors and omissions excepted.