



Ex foot switch

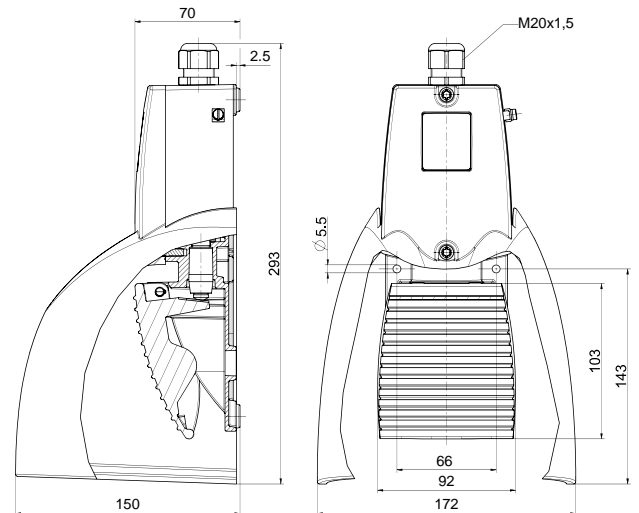
Ex GFSI 1Ö/1S -40°C ... +55°C IP66/67 Extreme

Article no.: 1296855

Product features

- Ex zone 1 and 21
- 1-pedal type
- Corrosion-resistant aluminium enclosure
- With protective shield
- Salt-mist spray test to DIN EN ISO 9227
- High degree of protection IP66 / IP67
- Temperature resistant from -40 °C to +55 °C
- Screws and metal parts made of stainless steel
- Wiring compartment
- Low pedal height
- Attention: Please state required international approvals with your order!

Dimensions



Technical data

Applied standards

EN 60947-5-1, EN IEC 60079-0, EN 60079-1, EN IEC 60079-7, EN 60079-31, EN ISO 13849-1

Enclosure

aluminium die-cast, corrosion-resistant, powder-coated, passivated, anthracite grey, similar to RAL 7016

Pedal

aluminium die-cast, corrosion-resistant, hard-coated, powder-coated, anthracite grey, similar to RAL 7016

Protective shield

aluminium die-cast, corrosion-resistant, powder-coated, passivated, signal yellow, similar to RAL 1003

Degree of protection

IP55 (EN 60079-0 + IEC/EN 60529)
IP66/IP67 (IEC/EN 60529)

B_{10d} (10 % load)

2 million

T_M

max. 20 years

Connection

screw connection terminals

Cable cross-section

max. 2.5 mm² (incl. conductor ferrules)

Contact material

silver

Switching system

slow action, positive break NC contacts ⊖

Switching elements

1 NC/1 NO contact, type Zb

Utilisation category

AC-15; DC-13

Rated operating current/voltage I_e/U_e

5 A/250 VAC; 0.25 A/230 VDC

Short-circuit protection

5 A gG/gN fuse

Ambient temperature

T₆: -40 °C ... +55 °C

Mechanical life

> 1 million operations

Impact energy

max. 7 J

Ex marking

⊕ II 2G Ex de IIC T6 Gb,
⊕ II 2D Ex tb IIIA T80°C Db
IECEx Ex de IIC T6 Gb,
Ex tb IIIA T80°C Db

Approvals

PTB 15 ATEX 1010
IECEx PTB 15.0035



Weight

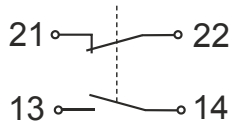
1496 g

Errors and omissions excepted.

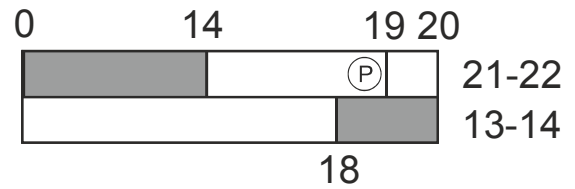


Ex foot switch
Ex GFSI 1Ö/1S -40°C ... +55°C IP66/67 Extreme
Article no.: 1296855

Contact diagram



Switching diagram



Ⓟ Positive break travel/angle