



## Ex safety switch with separate actuator

Ex ES 98 ST-11

Article no.: 1255734 (old article no.: 9100533001)

### Product features

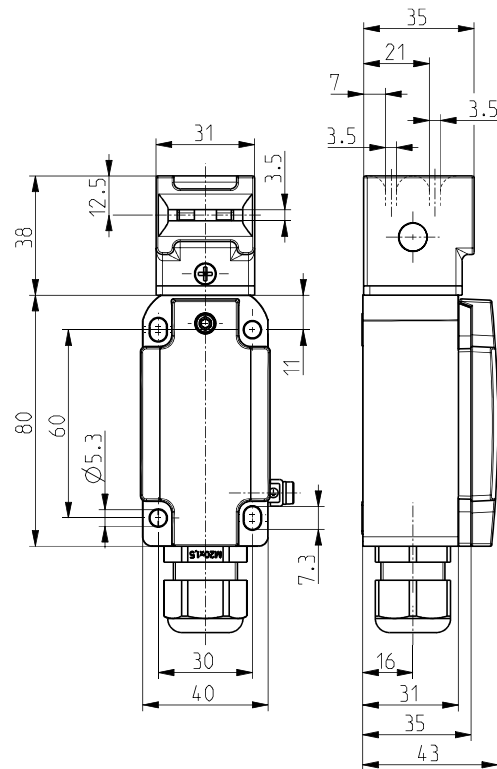


- Ex zone 1 and 21
- Metal enclosure
- Design to EN 50041
- Wiring compartment
- Attention: Please state required international approvals with your order!

#### Notes

- 1 Ex"e" cable gland M20x1.5 included in delivery
- The actuator is not included in the delivery of the switches

### Dimensions



### Technical data

#### Applied standards

EN 60947-5-1, EN IEC 60079-0, EN 60079-1, EN IEC 60079-7, EN 60079-31, EN ISO 13849-1, EN ISO 14119

#### Enclosure

aluminium die-cast, corrosion-resistant, powder-coated, anthracite grey, similar to RAL 7016

#### Cover

stainless steel 1.4401, powder-coated, signal yellow, similar to RAL 1003

#### Sealing

silicone

#### Switch type

type 2

#### Coding level

low coding

#### Tightening torque

screw connection terminals: 0.5 Nm

#### Degree of protection

IP66 (IEC/EN 60529)

#### B<sub>10d</sub> (10 % load)

2 million

#### T<sub>M</sub>

max. 20 years

#### Contact material

silver

#### Switching system

slow action, positive break NC contacts ⊖

#### Switching elements

1 NC/1 NO contact, type Zb

#### Connection

screw connection terminals, use copper conductors only

#### Cable cross-section

min. 0.75 mm<sup>2</sup> (AWG 18), max. 1.5 mm<sup>2</sup> (AWG 16), incl. conductor ferrules

#### Cable entry

1 x M20 x 1.5 (for cable glands only)

#### Clamping range

7 ... 13 mm

Errors and omissions excepted.



## Ex safety switch with separate actuator

Ex ES 98 ST-11

Article no.: 1255734 (old article no.: 9100533001)

### Technical data (contd.)

Rated impulse withstand voltage  $U_{imp}$   
4 kV

Rated insulation voltage  $U_i$   
250 V

Conventional thermal current  $I_{the}$   
6 A

Rated operating current/voltage  $I_e/U_e$   
6 A/250 VAC; 0.25 A/230 VDC

Utilisation category  
AC-15; DC-13

Short-circuit protection  
6 A gG/gN fuse

Ambient temperature  
T6: -20 °C ... +40 °C;  
T5: -20 °C ... +60 °C

Mechanical life  
> 1 million operations

Operation cycles  
max. 1800/h

Impact energy  
max. 7 J

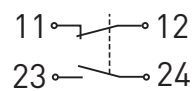
Ex marking  
⊕ II 2G Ex db eb IIC T6/T5 Gb,  
⊕ II 2D Ex tb IIIC T80°C/T95°C Db

Approvals  
DMT 01 ATEX E 178  
IECEx BVS 07.0014

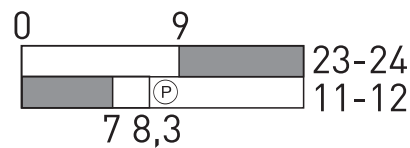


Weight  
360 g

### Contact diagram



### Switching diagram



Ⓟ Positive break travel/angle

Note  
Inserted position of actuator = 0 in switching diagram.  
The actuator is not included with the switches.