



Ex position switch Ex ES 98 DS-11 -40°C Article no.: 1400749

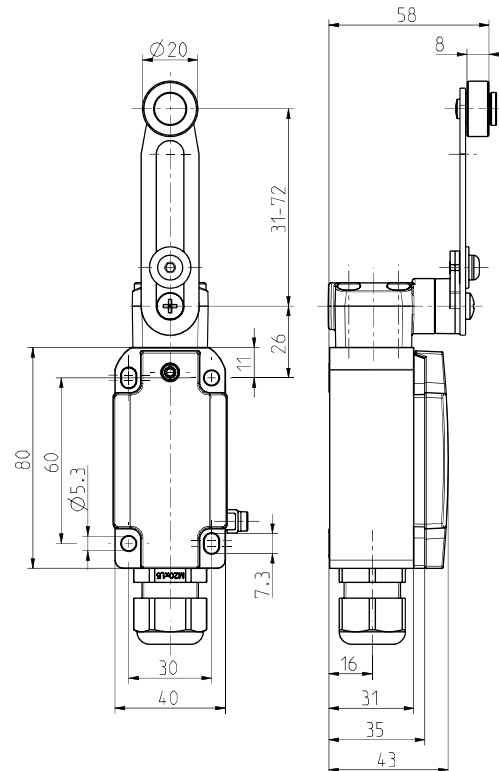
Product features

- Ex zone 1 and 21
- Cold-resistant down to -40 °C
- Metal enclosure
- Design to EN 50041
- Wiring compartment
- Actuator: Adjustable rocking lever DS
- Actuating speed max. 2.5 m/s with a vertical actuating angle of 30°
- Wear-resistant plastic roller
- Lever angle adjustable in 10° steps
- Actuator can be repositioned by 4 x 90°
- Attention: Please state required international approvals with your order!

Notes

- With stainless steel roller available on request
- 1 Ex"e" cable gland M20x1.5 included in delivery

Dimensions



Technical data

Applied standards

EN 60947-5-1, EN IEC 60079-0, EN 60079-1, EN IEC 60079-7, EN 60079-31

Enclosure

aluminium die-cast, corrosion-resistant, powder-coated, anthracite grey, similar to RAL 7016

Cover

stainless steel 1.4401, powder-coated, signal yellow, similar to RAL 1003

Sealing

silicone

Degree of protection

IP66 (IEC/EN 60529)

Contact material

silver

Switching system

slow action

Switching elements

1 NC/1 NO contact, type Zb

Connection

screw connection terminals, use copper conductors only

Cable cross-section

min. 0.75 mm² (AWG 18), max. 1.5 mm² (AWG 16), incl. conductor ferrules

Cable entry

1 x M20 x 1.5 (for cable glands only)

Clamping range

7 ... 13 mm

Rated impulse withstand voltage U_{imp}

4 kV

Rated insulation voltage U_i

250 V

Rated operating current I_e

max. 4.4 A (T6) / max. 6.6 A (T5)

Rated operating voltage U_e

max. 250 VAC; 125 VDC

Utilisation category

AC-15; DC-12

Errors and omissions excepted.



Ex position switch Ex ES 98 DS-11 -40°C Article no.: 1400749

Technical data (contd.)

Short-circuit protection

4 A / 6 A gG/gN fuse

Ambient temperature

-40 °C ... +70 °C

Mechanical life

> 1 million operations

Operation cycles

max. 1800/h

Repeat accuracy of switching points

± 0.1 mm

Impact energy

max. 7 J

Capacity of metal actuator

$C \leq 10 \text{ pF}$

Ex marking

⊕ II 2G Ex db eb IIC T6/T5 Gb,

⊕ II 2D Ex tb IIIC T80°C/T95°C Db

Approvals

DMT 01 ATEX E 178

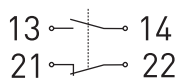
IECEX BVS 07.0014



Weight

380 g

Contact diagram



Switching diagram

