



## Ex pull-wire switch

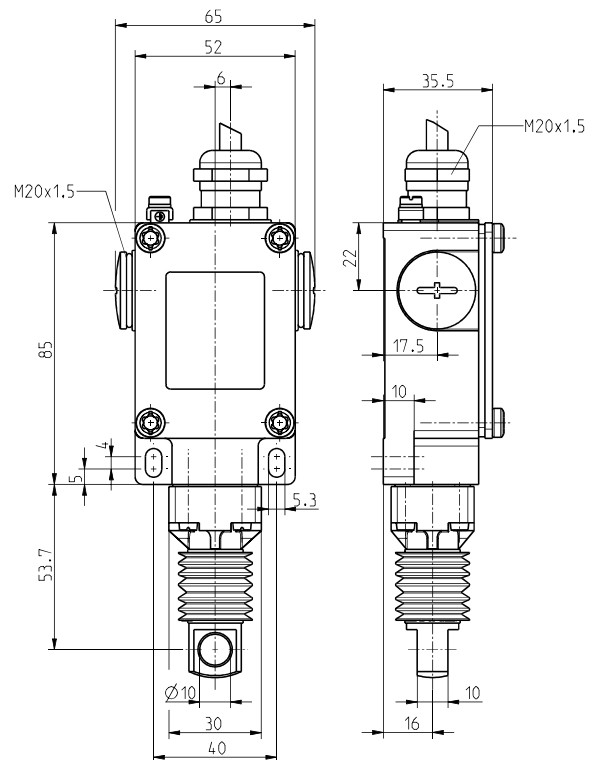
Ex 61 WZ 1Ö/1S - 3m

Article no.: 1047842 (old article no.: 61042301)

### Product features

- Ex zone 1 and 21
- Metal enclosure
- Wall mounting
- 2 contacts
- Pull-wire function
- Attention: Please state required international approvals with your order!

### Dimensions



### Technical data

#### Applied standards

EN 60947-5-1, EN IEC 60079-0, EN 60079-1, EN 60079-31, EN ISO 13849-1

#### Enclosure

aluminium die-cast, powder-coated

#### Cover

steel, powder-coated

#### Degree of protection

IP65 (IEC/EN 60529)

#### B<sub>10d</sub> (10 % load)

2 million

#### T<sub>M</sub>

max. 20 years

#### Switch insert

1 x Ex 14

#### Contact material

silver

#### Switching system

slow action

#### Switching elements

1 NC/1 NO contact, type Zb

#### Connection

pre-wired cable H05VV-F

#### Cable cross-section

4 x 0.75 mm<sup>2</sup> (incl. conductor ferrules)

#### Cable length

3 m

#### Rated impulse withstand voltage U<sub>imp</sub>

4 kV

#### Rated insulation voltage U<sub>i</sub>

250 V

#### Conventional thermal current I<sub>the</sub>

T6: 6 A, T5: 3 A

#### Rated operating current/voltage I<sub>e</sub>/U<sub>e</sub>

6 A/250 VAC, 0.25 A/230 VDC

#### Utilisation category

AC-15; DC-13

Errors and omissions excepted.



## Ex pull-wire switch Ex 61 WZ 1Ö/1S - 3m Article no.: 1047842 (old article no.: 61042301)

### Technical data (contd.)

---

#### Short-circuit protection

6 A gG fuse

#### Ambient temperature

T6: -20 °C ... +65 °C,

T5: -20 °C ... +75 °C, +90 °C with max. 3 A

#### Mechanical life

> 1 million operations

#### Operation cycles

max. 1800/h

#### Repeat accuracy of switching points

± 0.1 mm

#### Impact energy

max. 7 J

#### Ex marking

⊕ II 2G Ex db IIC T6/T5 Gb,

⊕ II 2D Ex tb IIIC T80 °C/T95 °C Db

IECEX Ex db IIC T6/T5 Gb,

Ex tb IIIC T80 °C/T95 °C Db

#### Approvals

PTB 03 ATEX 1070 X \*

IECEX PTB 06.0098X \*



\* referring to the switch insert

#### Weight

600 g

### Switching diagram

---

