



Ex door contact for lift doors

Ex 14 AZ 1Ö 5m

Article no.: 1180327 (old article no.: 14966305)

Product features

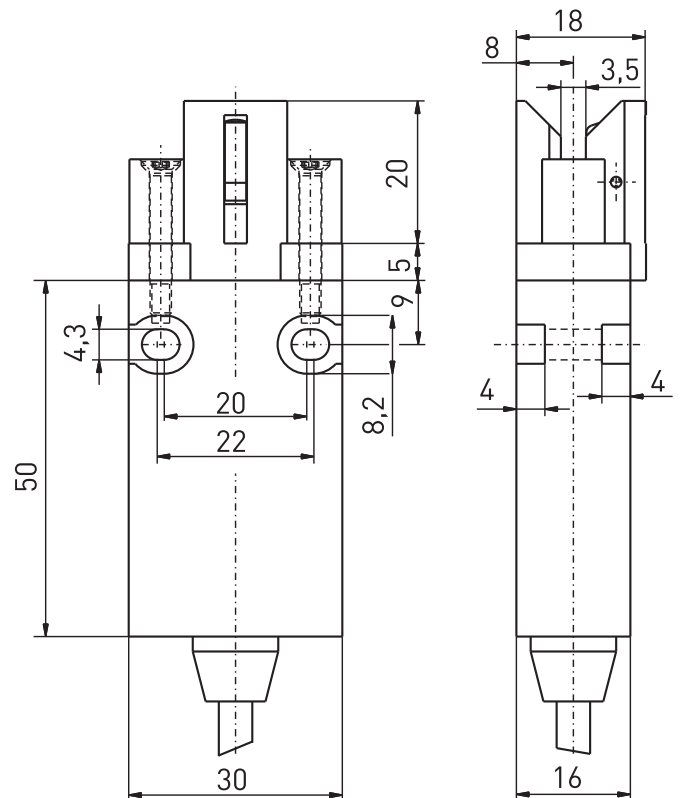


- Ex zone 1 and 21
- Thermoplastic enclosure
- Mountable from both sides
- Double insulated
- Slow action \ominus , 1 NC contact
- With pre-wired cable
- Attention: Please state required international approvals with your order!

Notes

- The actuator is not included in the delivery of the switches

Dimensions



Technical data

Applied standards

EN IEC 60079-0, EN 60079-1, EN 60079-31, EN 60947-5-1, EN ISO 13849-1, EN ISO 14119, EN 81-20, EN 81-50

Enclosure

thermoplastic, glass-fibre reinforced, shockproof, self-extinguishing UL 94 V-0

Switch type

type 2

Coding level

low coding

Tightening torque

enclosure mounting screws: max. 1.5 Nm

Degree of protection

IP65 (IEC/EN 60529)

B_{10d} (10 % load)

2 million

T_M

max. 20 years

Contact material

silver

Switching system

slow action, positive break NC contacts \ominus

Switching elements

1 NC contact

Connection

pre-wired cable H05VV-F

Cable cross-section

2 x 0.75 mm²

Cable length

5 m

Rated impulse withstand voltage U_{imp}

4 kV

Rated insulation voltage U_i

250 V

Conventional thermal current I_{the}

2 A

Errors and omissions excepted.



Ex door contact for lift doors

Ex 14 AZ 1Ö 5m

Article no.: 1180327 (old article no.: 14966305)

Technical data (contd.)

Rated operating current/voltage I_e/U_e
2 A/230 VAC; 0.25 A/230 VDC

Utilisation category
AC-15; DC-13

Short-circuit protection
2 A gG/gN fuse

Positive break travel
3.5 mm

Actuating force
approx. 2 - 3.5 N

Ambient temperature
T6: -20 °C ... +65 °C,
T5: -20 °C ... +75 °C

Mechanical life
> 1 million operations

Ex marking
⊕ II 2G Ex db IIC T6/T5 Gb,
⊕ II 2D Ex tb IIIC T80 °C/T95 °C Db

Approvals
PTB 03 ATEX 1070 X
IECEX PTB 06.0098X

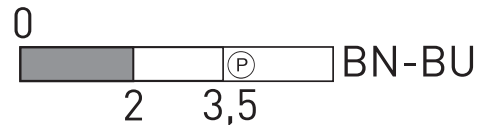


Weight
280 g

Contact diagram



Switching diagram



Ⓟ Positive break travel/angle