

Electronic Buzzer EKS/EKSP

Signalling device for applications
in dry or damp rooms



Overview

The Electronic Buzzers EKS and EKSP are installed into a 28 mm bore hole in control panels.

With a volume of approx. 90 dB(A) both models are suitable for universal signalling purposes.

The electronics of the EKS and EKSP buzzers are installed into an impact-resistant thermoplastic housing.

It is connected to the power supply via a 6.3 x 0.8 mm flat connector. The audio frequency is approx. 2.0 to 2.5 KHz for all models.

While the EKS produces a continuous tone signal, the EKSP version emits a pulsating tone signal.

Features

- Installation in control panels
- Low current consumption
- Loud piezo sounder
- Housing of impact-resistant thermoplastic
- Continuous tone/Pulsating tone

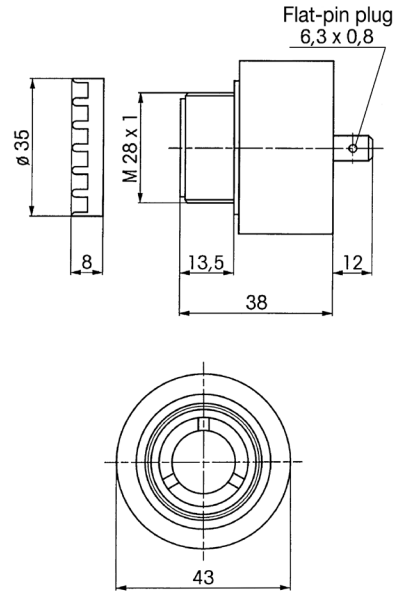
EATON

Powering Business Worldwide

Specifications

Housing	Thermoplastic (ABS)
Colour	Grey
Ingress protection	IP 30, connection IP 00 according to IEC 60529
Connector	Flat connector 6.3 x 0.8 mm
Volume	Approx. 90 dB(A), in 1 m distance at nominal voltage
Operating mode	Continuous operation
Signal	
Type EKS	Continuous tone (2.5 kHz)
Type EKSP	Pulsating tone (2.5 kHz, pulse frequency approx. 2 Hz)
Operating mode	Continuous operation
Temperature range	-50 °C to +60 °C

General arrangement drawing (All dimensions in mm)



Ordering data

Type	Designation	Model	Nominal voltage	Voltage range	Nominal current	Art. No.
EKS	Electronic Buzzer	continuous tone	24 V AC/DC	4-40 VAC/DC	0.03 A	FHF 213 003 01
EKS	Electronic Buzzer	continuous tone	48 V AC/DC	10-48 VAC/DC	0.02 A	FHF 213 003 02
EKS	Electronic Buzzer	continuous tone	230 VAC	115-250 VAC	0.02 A	FHF 213 003 03
EKPS	Electronic Buzzer	pulsierender Ton	24 V AC/DC	4-40 VAC/DC	0.03 A	FHF 213 004 01
EKSP	Electronic Buzzer	pulsierender Ton	48 V AC/DC	10-48 VAC/DC	0.02 A	FHF 213 004 02
EKSP	Electronic Buzzer	pulsierender Ton	230 VAC	115-250 VAC	0.02 A	FHF 213 004 03

Note: All specifications, dimensions, weights and tolerances are nominal (typical) and Eaton reserve the right to vary all data without prior notice. No liability is accepted for any consequence of use.