

# Robust light fixtures for your emergency system

Planete 400 AD DL / ADR CG Line+ LED

Emergency Luminaire with self-contained battery for Ex-Zone 1 and 21



# Ex-emergency luminaires

Planete 400 AD DL and Planete 400 ADR CGLine+ emergency lighting luminaire with self-contained battery system made of metal for Zone 1 and 21.

## The robust safety concept for hazardous areas

With its robust flameproof enclosure made of copper-free aluminium ( $Cu < 0.1\%$ ), the high degree of protection IP66/67 and the protective tube made of borosilicate glass with high mechanical and thermal resistance, this luminaire series is ideal for use in areas with adverse environmental conditions.

## LED emergency lighting luminaires with a self-contained battery system

The Planete 400 AD DL / ADR CGLine+ completes our lighting portfolio with a robust light fitting in modern LED technology. An integrated micro-processor monitors the automatic function and duration test and green and yellow LEDs indicate the lighting status. The battery status of the Planete 400 AD ADR CGLine+ type can also be monitored by the integration into an Eaton CGLine+ emergency lighting remote control system.

The Planete 400 AD DL / ADR CGLine+ is equipped with 32 LEDs and ensures emergency duration of more than an hour. During mains supply (maintained operation) all LED will be on with reduced light output.



## Features

- Housing made of copper-free aluminium with a borosilicate glass tube
- High degree of safety IP66/67
- Maintenance-free LED illuminant with long lifespan
- Operation and monitoring possible from CEAG emergency lighting system (Planete 400 AD ADR CGLine+)

# Ordering details / Accessories

Planete 400 AD DL / Planete 400 AD ADR CGLine+

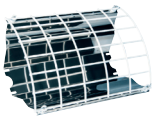
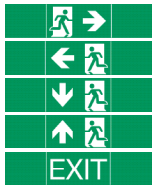
## Ordering details



Type	Rated voltage	Thread	Ex-d Blanking plug	Order No.
Planete 400 AD DL	220 - 240 V AC	2 x 3/4" NPT, metal thread	1	<b>NOR 000 005 160 055E</b>
Planete 400 AD DL	220 - 240 V AC	2 x M25, metal thread	1	<b>NOR 000 005 160 056E</b>
Planete 400 AD ADR CGLine+	220 - 240 V AC	2 x 3/4" NPT, metal thread	1	<b>NOR 000 005 160 065E</b>
Planete 400 AD ADR CGLine+	220 - 240 V AC	2 x M25, metal thread	1	<b>NOR 000 005 160 066E</b>

Luminaires without silk-screen pictograms, to order them see accessories.

## Accessories

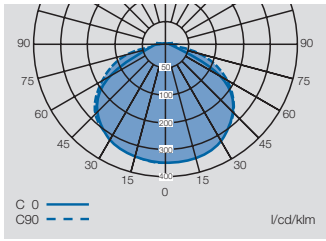


Type	OU	Order No.
Pictogram foil with arrow 3 h	1	<b>NOR 000 000 506 915</b>
Pictogram foil with arrow 9 h	1	<b>NOR 000 000 506 907</b>
Pictogram foil with arrow 6 h	1	<b>NOR 000 000 506 966</b>
Pictogram foil with arrow 12 h	1	<b>400 71 354 383</b>
Pictogram foil with „EXIT“	1	<b>NOR 000 000 506 965</b>
Reflector RAB 108 (AISI 304)	1	<b>NOR 003 045 060 471</b>
Reflector RAB 108 (AISI 304) + guard (steel white epoxy coating)	1	<b>NOR 003 045 060 819</b>
Reflector RAB 108 (AISI 316)	1	<b>NOR 003 165 060 471</b>
Reflector RAB 108 (AISI 316) + guard (steel white epoxy coating)	1	<b>NOR 003 165 060 819</b>

Other silk-screen pictograms or inscriptions available on request

# Polar curves / dimension drawing

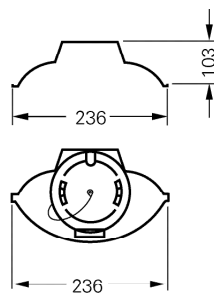
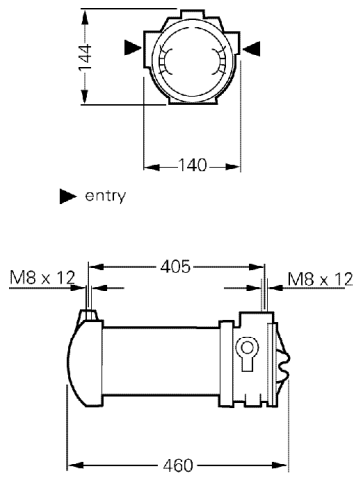
Planete 400 AD DL / Planete 400 AD ADR CGLine+



**Polar curve**  
**Planete 400 AD ...**

**Planete 400 AD ...**

**Reflector / Reflector with guard**



# Technical data

## Planete 400 AD DL / Planete 400 AD ADR CGLine+



### Technical data

	Planete 400 AD DL	Planete 400 AD DL CG+
EC-Type Examination Certificate	LOM 03 ATEX 2036 X	LOM 03 ATEX 2036 X
Marking accd. to 2014/34/EU	Ⓜ II 2 G Ex d IIC T6 Gb Ⓜ II 2 D Ex tb IIIC T85 °C Db	Ⓜ II 2 G Ex d IIC T6 Gb Ⓜ II 2 D Ex tb IIIC T85 °C Db
Permissible ambient temperature	-20 °C up to +55 °C	-20 °C up to +55 °C
specified data	-5 °C up to +35 °C	-5 °C up to +35 °C
Battery	1.7 Ah NC-accumulator	1.7 Ah NC-accumulator
Rated power consumption	1.1 W	1.1 W
Rated voltage	220 - 240 V AC	220 - 240 V AC
Frequency	50 -60 Hz	50 -60 Hz
Charging duration	≥ 14 h	≥ 14 h
Power factor cos φ	0.95	0.95
Rated operating duration	1.0 h	1.0 h
Monitoring Circuit	-	ADR CGLine+
Protection class	I	I
Viewing distance	12 m	12 m
Lamp / Illuminant	32 LEDs , 5.5 W	32 LEDs , 5.5 W
Luminous flux in mains operation	16 lm	16 lm
Luminous flux in emergency operation	471 lm	471 lm
Dimensions (L x W x H)	460 x 144 x 140 mm	460 x 144 x 140 mm
Connecting terminals	3 twin terminals x 2, 5 mm <sup>2</sup> PE ext. 2 x 6 mm <sup>2</sup>	5 twin terminals x 2, 5 mm <sup>2</sup> PE ext. 2 x 6 mm <sup>2</sup>
Enclosure colour	grey RAL 7032 (body), RAL 7016 (cover)	grey RAL 7032 (body), RAL 7016 (cover)
Enclosure material	copper-free aluminium with powder coating	copper-free aluminium with powder coating
Weight	5.0 kg	5.0 kg
Cable glands / gland plates / enclosure drilling	2 x 3/4" NPT thread, one plugged or 2 x M25x1,5 thread, one plugged	2 x 3/4" NPT thread, one plugged or 2 x M25x1,5 thread, one plugged
Type of mounting	ceiling / wall / pole mounting	ceiling / wall / pole mounting
Degree of protection accd. to EN 60529	IP66/67	IP66/67
Protective cover / protective bowl	borosilicate glass	borosilicate glass

<sup>1)</sup> depends on used lamps



CROUSE-HINDS  
SERIES

B-LINE  
SERIES

# Experts in Ex for 125+ years.

Eaton's Crouse-Hinds series and B-Line series are specialised portfolios of products and solutions for harsh and hazardous areas.



## Full list of distributors and regional sales offices:

Crouse-Hinds series hazardous area communications



Crouse-Hinds series MTL process control and instrumentation



Crouse-Hinds series CEAG lighting, and power distribution and control



B-Line series mechanical support systems



**Cooper Crouse-Hinds GmbH**  
Neuer Weg – Nord 49  
D-69412 Eberbach  
Germany  
E-mail: [info-ex@eaton.com](mailto:info-ex@eaton.com)  
[www.eaton.com](http://www.eaton.com)

© 2025 Eaton  
All Rights Reserved  
Printed in Germany  
Publication No.  
300 8000 ....  
Issue / 18.25 / MP



Changes to the products, to the information contained in this document, and to prices are reserved; so are errors and omissions. Only order confirmations and technical documentation by Eaton is binding. Photos and pictures also do not warrant a specific layout or functionality. Their use in whatever form is subject to prior approval by Eaton. The same applies to Trademarks (especially Eaton, Moeller, and Cutler-Hammer). The Terms and Conditions of Eaton apply, as referenced on Eaton Internet pages and Eaton order confirmations.

**Eaton**  
1000 Eaton Boulevard  
Cleveland, OH 44122  
United States

**Eaton's Crouse-Hinds series**  
1201 Wolf Street  
Syracuse, NY 13208

Eaton is a registered trademark.

All other trademarks are property of their respective owners.

Follow us on social media to get the latest product and support information.