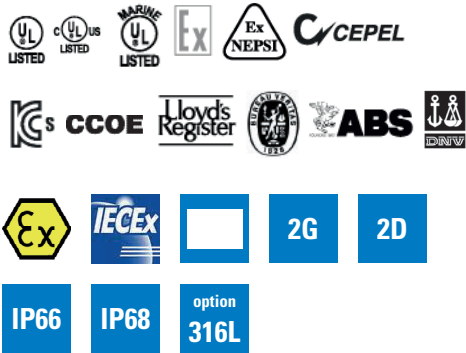


ADE-1FC - for non-armoured cable

Hazardous area cable glands



Suitable for the following cable types:

- Non-armoured cable
- Marine shipboard cable; Type P cable
- Tray cable: TC

Sealing ring and TSC compound provides 100% of cable clamping

Certifications and compliances

• ATEX No. INERIS 12ATEX0032X

Zones 1 and 2, Groups I, IIA, IIB and IIC
Zones 21 and 22, Groups IIIA, IIIB and IIIC
⊕ IIC / Ex db IIC / Ex eb IIC / Ex tb IIIC
⊕ IIG Ex nRc IIC

⊕ IM2 / Ex db I / Ex eb I ; for mining applications

Brass, stainless steel or bronze size 11 to 16; NPT 2" to 4", ISO 63 to 110

• IECEx No. IECEx INE 12.0025X

Zones 1 and 2, Groups I, IIA, IIB and IIC
Zones 21 and 22, Groups IIIA, IIIB and IIIC
Ex db IIC / Ex eb IIC / Ex nRc IIC / Ex tb IIIC
Ex db I / Ex eb I ; for mining applications

Brass, stainless steel or bronze size 11 to 16; NPT 2" to 4", ISO 63 to 110

• UL: 3DJN E310130 Class I Zone 2*, AEx e II, Ex e II

⊕ ADE size 4 to 16, NPT 1/2" to 4" or ISO 20 to 110 with non-armoured cable ITC, MV, PLTC, TC-ER, TC-ER-HL, TC and compound TSC

• UL: 3DJN E310130 Class I Division 1, Groups A, B, C and D

⊕ ADE size 4 to 9, NPT 1/2" to 1 1/4" or ISO 20 to 40 with non-armoured cable TC-ER-HL and compound TSC. ADE size 4 to 16, NPT 1/2" to 4" or ISO 20 to 110 with non-armoured cable ITC-HL and compound TSC

• UL: 3DJN E310130 Class I Division 2, Groups A, B, C and D

⊕ ADE size 4 to 16, NPT 1/2" to 4" or ISO 20 to 110 with non-armoured cable ITC, ITC-ER, ITC-HL, MV, PLTC, PLTC-ER, TC-ER, TC-ER-HL, TC and compound TSC

• UL: 4EC5 E324850 Class I Division 2, Groups A, B, C and D

⊕ ADE size 4 to 16, NPT 1/2" to 4" or ISO 20 to 110 with non-armoured marine cable and compound TSC

Other certificates:

CEPEL 05.0558X

CCoE P360379-1

KOSHA 2015-BO-0479 to 0482

NANIO TC-RU C-FR.ГБ05.B.00858

NEPSI GYJ13.1082X

Shipping applications:

ABS 14-HS1274083-PDA

BV 40910/A0 BV

DNV TAE000010X

Lloyds 11/00072

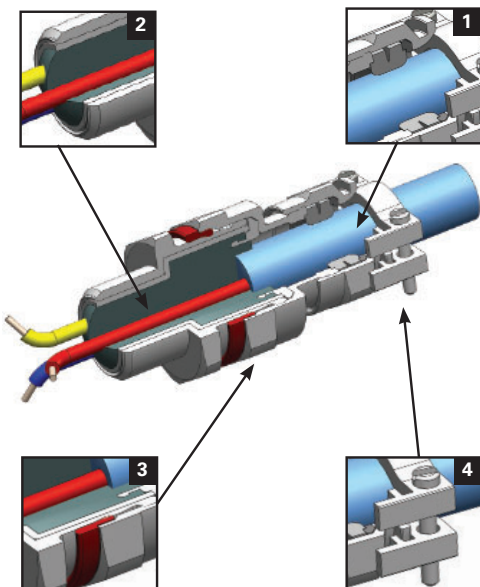
DTS-01:1991

Technical specification

- Nickel-plated brass for superior corrosion resistance. 316L stainless steel, bronze and aluminum options available. It is recommended that a suitable lubricant is used on all threads of stainless steel and aluminum versions.
- Temperature range:
-60 °C to +80 °C
- IP66 / IP68 according to the method of attachment and the condition of the equipment area, see page 2.5
- Equipped with a 'deluge' seal.

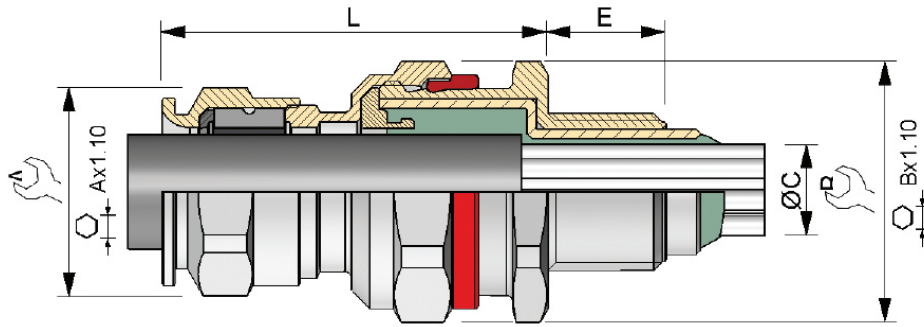
Features and benefits

- 1: Specifically formulated elastomer for IP sealing on outer sheath of cable
- 2: Sealing of cable conductors with compound barrier seal
- 3: Deluge seal provides enhanced ingress protection
- 4: Additional external cable clamping for strain relief (optional)



ADE-1FC - for non-armoured cable

Hazardous area cable glands



* For 'across corners' dimensions, multiply 'across flats' dimensions by 1.1

** For 'E' see thread dimension page 5.18

SERIES	THREAD SIZE	CABLE SEALING RANGE	MATERIAL	BARRIER	OPTION
ADE1C	M25	3	NP	SCN	

0 = XS
1 = S
2 = M
3 = L

CODES	
K1	Accessories kit 1
K2	Accessories kit 2
K3	Accessories kit 3
BLANK	No option
SCN	Solid compound
NP	Nickel-plated brass
SS	Stainless steel

KIT OPTIONS	
K1	Kit 1 contents: • Locknut • Green composite washer
K2	Kit 2 contents: • Locknut • Green composite washer • Earth tag • Shroud
K3	Kit 3 contents: • Locknut • Green composite washer • Earth tag • Serrated washer

Ordering codes

SERIES	THREAD SIZE (ISO)	THREAD SIZE CODE (ISO)	THREAD SIZE (NPT)	THREAD SIZE CODE (NPT)	CABLE SEALING RANGE	CABLE SEALING RANGE MIN - MAX	C=Ø MAX OVER CORES	MAX No. OF CORES	A	B	L	ADE GLAND SIZE	CATALOG NUMBER (ISO)	CATALOG NUMBER (NPT)
ADE1C	16*	M16	3/8**	N038	3	4.0 - 8.0	6.5	6	15	19	36.0	4	ADE1CM163NPSCN	ADE1CN0383NPSCN
ADE1C	20	M20	1/2"	N050	1	4.0 - 8.0	6.5	6	15	24	36.0	4	ADE1CM201NPSCN	ADE1CN0501NPSCN
ADE1C	20	M20	1/2"	N050	2	6.0 - 12.0	9.5	6	19	24	42.0	5	ADE1CM202NPSCN	ADE1CN0502NPSCN
ADE1C	20	M20	1/2"	N050	3	8.5 - 16.0	12.0	10	24	30	48.5	6	ADE1CM203NPSCN	ADE1CN0503NPSCN
ADE1C	25	M25	3/4"	N075	2	8.5 - 16.0	12.0	10	24	30	48.5	6	ADE1CM252NPSCN	ADE1CN0752NPSCN
ADE1C	25	M25	3/4"	N075	3	12.0 - 21.0	17.0	21	30	41	58.0	7	ADE1CM253NPSCN	ADE1CN0753NPSCN
ADE1C	32	M32	1"	N100	2	12.0 - 21.0	17.0	21	30	41	58.0	7	ADE1CM322NPSCN	ADE1CN1002NPSCN
ADE1C	32	M32	1"	N100	3	16.0 - 27.5	23.0	42	41	48	70.0	8	ADE1CM323NPSCN	ADE1CN1003NPSCN
ADE1C	40	M40	1 1/4"	N125	2	16.0 - 27.5	23.0	42	41	48	70.0	8	ADE1CM402NPSCN	ADE1CN1252NPSCN
ADE1C	40	M40	1 1/4"	N125	3	21.0 - 34.0	29.0	60	48	55	79.0	9	ADE1CM403NPSCN	ADE1CN1253NPSCN
ADE1C	50	M50	1 1/2"	N150	2	21.0 - 34.0	29.0	60	48	55	79.0	9	ADE1CM502NPSCN	ADE1CN1502NPSCN
ADE1C	50	M50	2"	N200	1	27.0 - 41.0	36.5	80	55	64	88.0	10	ADE1CM501NPSCN	ADE1CN2001NPSCN
ADE1C	63	M63	2"	N200	2	33.0 - 48.0	43.0	100	64	72	98.0	11	ADE1CM632NPSCN	ADE1CN2002NPSCN
ADE1C	63	M63	2"	N200	3	40.0 - 56.0	50.0	100	72	85	103.0	12	ADE1CM633NPSCN	ADE1CN2003NPSCN
ADE1C	-	-	2 1/2"	N250	2	40.0 - 56.0	50.0	100	72	85	103.0	12	-	ADE1CN2502NPSCN
ADE1C	75	M75	2 1/2"	N250	3	46.0 - 65.0	59.0	120	85	95	111.0	13	ADE1CM753NPSCN	ADE1CN2503NPSCN
ADE1C	-	-	3"	N300	1	46.0 - 65.0	59.0	120	85	95	111.0	13	-	ADE1CN3001NPSCN
ADE1C	90	M90	3"	N300	2	54.0 - 74.0	66.0	140	95	110	120.0	14	ADE1CM902NPSCN	ADE1CN3002NPSCN
ADE1C	-	-	3 1/2"	N350	2	54.0 - 74.0	66.0	140	95	110	120.0	14	-	ADE1CN3502NPSCN
ADE1C	90	M90	3"	N300	3	63.0 - 83.0	75.0	140	110	120	125.0	15	ADE1CM903NPSCN	ADE1CN0383NPSCN
ADE1C	-	-	3 1/2"	N350	3	63.0 - 83.0	75.0	140	110	120	125.0	15	-	ADE1CN3503NPSCN
ADE1C	110	M110	4"	N400	3	72.0 - 93.0	85.0	200	120	135	128.0	16	ADE1CM1103NPSCN	ADE1CN4003NPSCN

* Not UL certified. Above catalog numbers are for nickel-plated brass; refer to order code diagram for other options..