

Signalling Bells AWS and AWSL

Corrosion-resistant signalling devices for indoor and outdoor use



Overview

The AWS Signalling Bells are used for clear calling, reporting and warning purposes if a high-pitched bell sound shall stand out clearly against ambient noise. Different dome sizes enable an ideal signalling.

The AWS Signalling Bell with integrated call voltage relay is used for signalling purposes as secondary telephone sounder.

The AWSL Slow-stroke Bell allows a continuously adjustable stroke frequency of 30 to 90 strokes per minute.

The housing consists of corrosion-resistant, coated die-cast aluminium. The stainless steel bell dome is also protected with a corrosion-resistant coating.

Features

- Multi-stroke and single-stroke signalling bell, Slowstroke signalling bell with adjustable stroke rate between 30/min. and 90/min
- Various flat domes
- Signalling bell AWS with call voltage relay
- Volume approx. 105 to 110 dB(A)
- Ingress protection IP 55
- Continuous operation

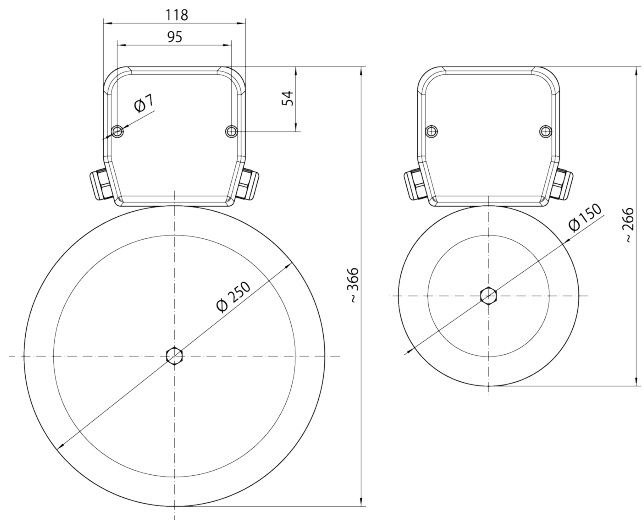
EATON

Powering Business Worldwide

Specifications

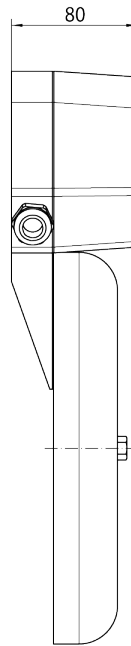
Housing	Corrosion-resistant aluminium die cast with dark grey varnish
Bell dome	Steel flat dome, light grey
Ingress protection	IP 55 according to EN 60529
Protection class	I
Cable glands	
AWS	2 x M20
AWSL	1 x M20
Connection terminals	Terminal capacity: 2.5 mm ² fine-wire 4.0 mm ² single-wire
Volume	Approx. 105 dB(A), 1 m with 150 mm dome Approx. 110 dB(A), 1 m with 250 mm dome (in 1 m distance)
Stroke frequency AWSL	Adjustable between 30 and 90 strokes per minute
Operating mode	Continuous operation
Operating conditions	Indoors and outdoors
Operating position	With striker facing downwards
Temperature range	-25 °C to +60 °C
Weight	Approx. 1.8 kg with 150 mm flat dome Approx. 3.3 kg bei 250 mm flat dome

General arrangement drawing (All dimensions in mm)



Ordering data

Type	Designation	Input voltage	Model	Current consumption	Art. No.
AWS	Signalling Bell with call voltage relay	230 VAC	150 mm flat dome	0.05 A	FHF 211 625 07
AWS	Signalling Bell with call voltage relay	230 VAC	250 mm flat dome	0.05 A	FHF 211 625 12
AWSL	Slow-stroke Signalling Bell	230 VAC ± 10 %		0.05 A	FHF 211 648 07
AWSL	Slow-stroke Signalling Bell	11.5-33 VDC		0.32 A	FHF 211 648 13
AWSL	Slow-stroke Signalling Bell	230 VAC ± 10 %		0.05 A	FHF 211 649 07
AWSL	Slow-stroke Signalling Bell	11.5-33 VDC		0.32 A	FHF 211 648 13



Note: All specifications, dimensions, weights and tolerances are nominal (typical) and Eaton reserve the right to vary all data without prior notice. No liability is accepted for any consequence of use.