



## 90JAM-ex ATEX Joystick

The ALTHEN Sensors & Controls ATEX Joystick combines industrial joysticks together with ATEX certified components such as the potentiometers and switches.

We can offer you a 1, 2 or 3 axis joystick based on our 90JAM models.

The potentiometers are certified according to:  
Ex II 2G EEx d IIC T6 or T5 IP66 T80° or T95° + IECEx

The switches are certified according to:  
Ex II 2G EEx d IIC T6 + IECEx

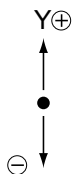
You can specify the required functions on your custom built joystick.

Mechanical life expectancy: 5.000.000 operations  
Life expectancy potentiometer: 10.000.000 operations

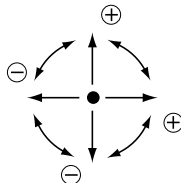
A switch function in the knob is available on the 90JAM model



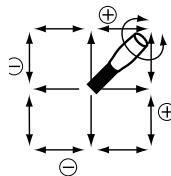
### X-axis



### X+Y axis



### X+Y+Z axis



**EC-TYPE-EXAMINATION CERTIFICATE**  
(Translation)

(1) Equipment and Protective Systems intended for Use in Potentially Explosive Atmospheres - Directive 94/9/EC

(2) EC-type-examination Certificate Number: **PTB 03 ATEX 1026**

(3) Equipment: Miniature control and display unit, type 07-61-1-.../... and type 07-662-.../.../...

(4) Manufacturer:

(5) Address:

(6) This equipment and any acceptable variation thereto are specified in the schedule to this certificate and the documents therein referred to.

(7) The Physikalisch-Technische Bundesanstalt, notified body No. 0102 in accordance with Article 9 of the Council Directive 94/9/EC of 23 March 1994, certifies that this equipment has been found to comply with the Essential Health and Safety Requirements relating to the design and construction of equipment and protective systems intended for use in potentially explosive atmospheres, given in Annex II to the Directive.

The examination and test results are recorded in the confidential report PTB Ex 04-12355

(8) Compliance with the Essential Health and Safety Requirements has been assured by compliance with:  
EN 50014:1997 + A1 + A2      EN 50018:2000  
EN 50019:2000                EN 50281-1-1:1998 + A1

(9) If the sign "X" is placed after the certificate number, it indicates that the equipment is subject to special conditions for safe use specified in the schedule to this certificate.

(10) This EC-type-examination Certificate relates only to the design, examination and tests of the specified equipment in accordance to the Directive 94/9/EC. Further requirements of the Directive apply to the manufacturing process and supply of the equipment. Those are not covered by this certificate.

(11) The marking of the equipment shall include the following:  
**II 2 GD EEx de IIC T6 or T5 IP 66 T 80 °C or T 95 °C**

Zertifizierungsstelle **Explosionsschutz**      Braunschweig, March 29, 2004  
By order:

EC-type-examination Certificates without signature and official stamp shall not be valid. The certificates may be circulated only without alteration. Substitutions or alterations are subject to approval by the Physikalisch-Technische Bundesanstalt. In case of dispute, the German text shall prevail.  
Physikalisch-Technische Bundesanstalt • Bundesallee 100 • D-38115 Braunschweig

**IECEx Certificate of Conformity**

INTERNATIONAL ELECTROTECHNICAL COMMISSION  
IEC Certification Scheme for Explosive Atmospheres  
For rules and details of the IECEx Scheme visit www.iecex.org

|                  |                   |              |                          |
|------------------|-------------------|--------------|--------------------------|
| Certificate No.: | IECEx EPS 14.2042 | Issue No. 0: | Certificate history:     |
| Status:          | Current           | Page 1 of 3  | Issue No. 0 (2014-07-02) |
| Date of issue:   | 2014-07-02        |              |                          |

Electrical Apparatus: **Miniature Control and Display Unit type 07-61-1-.../... and type 07-662-.../.../...**

Optional accessory:

Type of Protection: **by Rainsproof enclosures, increased safety, by enclosure "T", intrinsic safety**

Marking:  
Ex II 2GD, T6, T5 or T4 Gb  
Ex II 2G, Ex II 2G, Ex II 2G, T5 or T4 Gb  
Ex II 2G, Ex II 2G, Ex II 2G, T5 or T4 Gb  
Ex II 2G, Ex II 2G, Ex II 2G, T5 or T4 Gb  
Ex II 2G, Ex II 2G, Ex II 2G, T5 or T4 Gb  
Ex II 2G, Ex II 2G, Ex II 2G, T5 or T4 Gb

Approved for issue on behalf of the IECEx: **Daniel Zickmann**  
Certification Body: **Manager Certification**

Signature: **(for approval)**  
Date:

1. This certificate and schedule may only be reproduced in full.  
2. The certificate is not transferable and ensures the integrity of the issuing body.  
3. The status and authenticity of this certificate may be verified by visiting the Official IECEx Website.

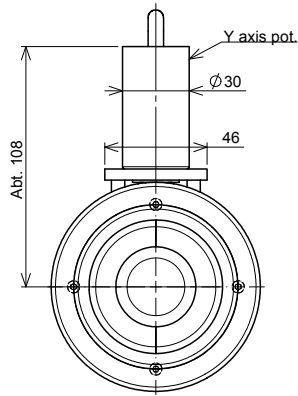
Certificate issued by:  
**Bosch Vertec Control Products Services Germany GmbH**  
Bühlweg 455  
6642 Tönnisheim  
Germany

The information provided herein is to the best of our knowledge true and accurate, it is provided for guidance only. All specifications are subject to change without prior notification.

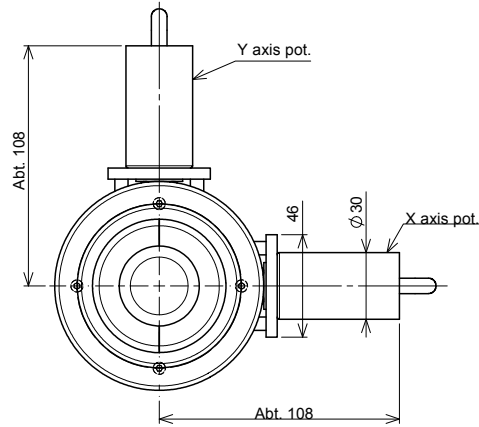
Althen Controls – Your expert partner for customized joystick controllers, footpedals, and position feedback sensors.

Althen stands for high quality solutions, flexibility in customization, and is known for its long experience.

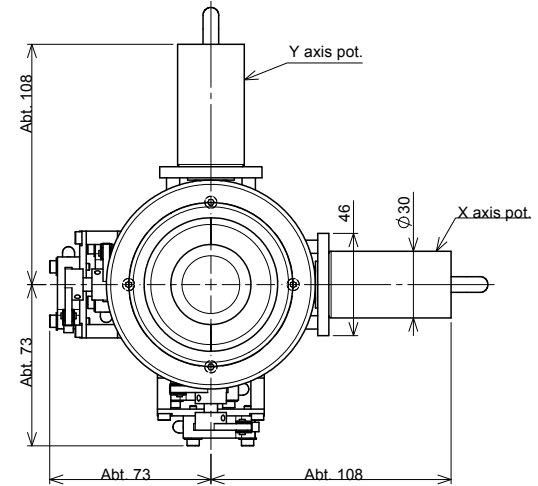
Please visit our website [althencontrols.com](http://althencontrols.com) or contact us by email at [info@althencontrols.com](mailto:info@althencontrols.com)



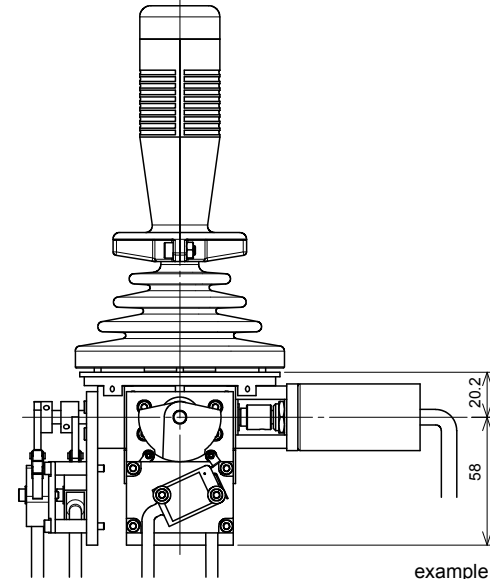
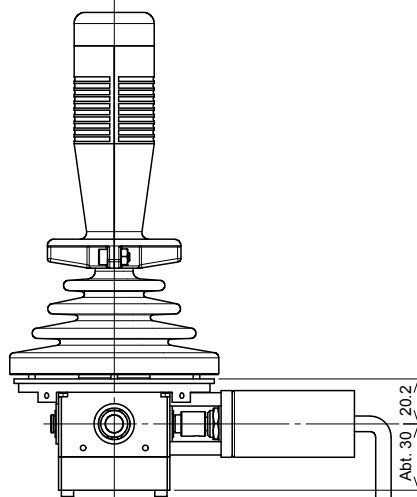
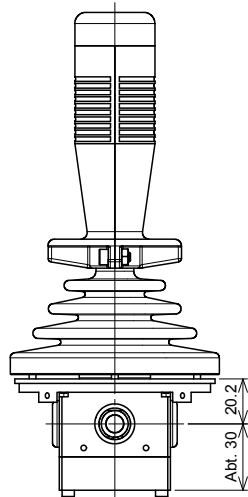
D) S90JAM-XI-10R1G example  
+ 1 pot (Y-direction)  
+ Spring return



E) S90JAM-YO-20R2G example  
+ 2 pots (X and Y direction)  
+ Spring return



F) S90JAM-YO-24R2G example  
+ 2 pots (X and Y direction)  
+ 4 directional switches



The information provided herein is to the best of our knowledge true and accurate, it is provided for guidance only. All specifications are subject to change without prior notification.

**Althen Controls – Your expert partner for customized joystick controllers, footpedals, and position feedback sensors.**

Althen stands for high quality solutions, flexibility in customization, and is known for its long experience.

Please visit our website [althencontrols.com](http://althencontrols.com)  
or contact us by email at [info@althencontrols.com](mailto:info@althencontrols.com)