



50JCK-ex ATEX Joystick

The ALTHEN Sensors & Controls ATEX Joystick combines industrial joysticks together with ATEX certified components such as the potentiometers and switches.

We can offer you a 1, 2 or 3 axis joystick based on our 50JCK models.

The potentiometers are certified according to:
Ex II 2G EEx d IIC T6 or T5 IP66 T80° or T95° + IECEx

The switches are certified according to:
Ex II 2G EEx d IIC T6 + IECEx

You can specify the required functions on your custom built joystick.

Mechanical life expectancy: 5.000.000 operations
Life expectancy potentiometer: 10.000.000 operations

A switch function in the knob is available on the 90JAM model

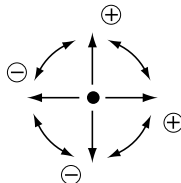


1-axis joystick 50JCK with 1 potentiometer + 2 directional switches

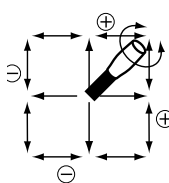
X-axis



X+Y axis



X+Y+Z axis

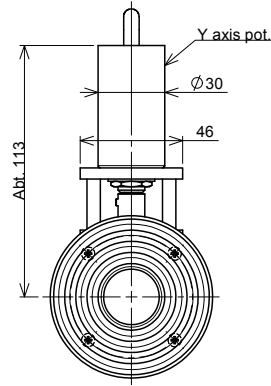


The information provided herein is to the best of our knowledge true and accurate, it is provided for guidance only. All specifications are subject to change without prior notification.

Althen Controls – Your expert partner for customized joystick controllers, footpedals, and position feedback sensors.

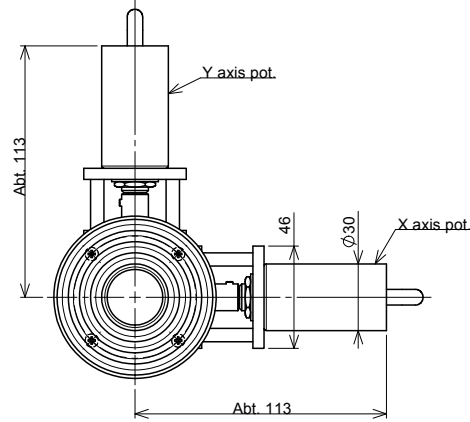
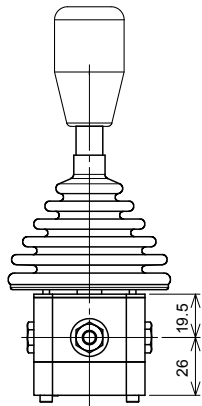
Althen stands for high quality solutions, flexibility in customization, and is known for its long experience.

Please visit our website althencontrols.com or contact us by email at info@althencontrols.com



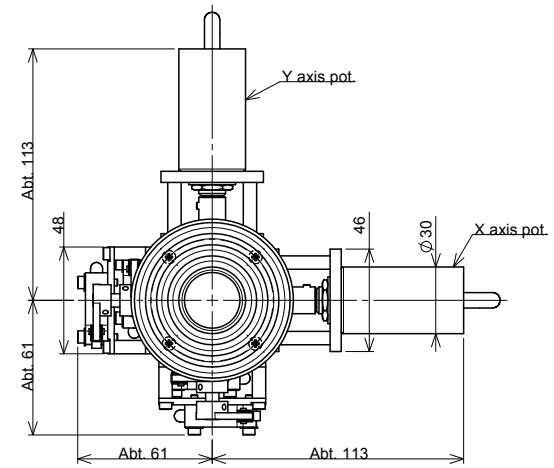
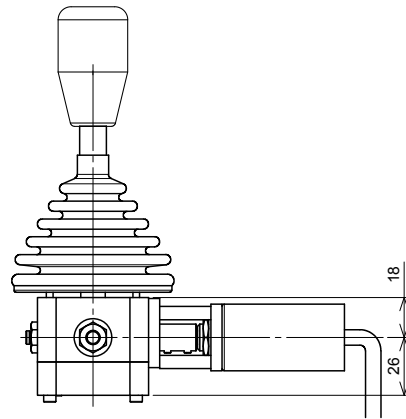
A) S50JCK-XI-10R1G
+ 1 pot (Y-direction)
+ spring return

example



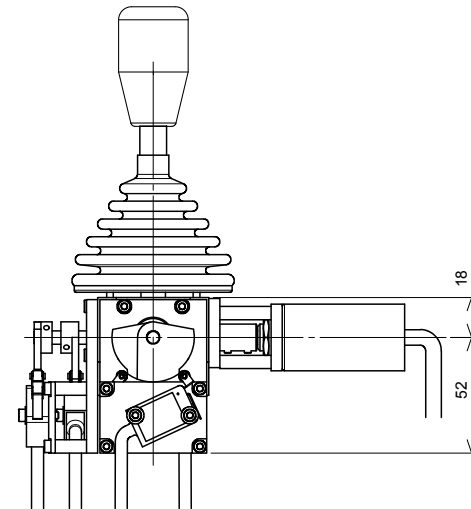
B) S50JCK-YO-20R2G
+ 2 pots (X and Y direction)
+ spring return

example



C) S50JCK-YO-24R2G
+ 2 pots (X and Y direction)
+ 4 directional switches
+ spring return

example



The information provided herein is to the best of our knowledge true and accurate, it is provided for guidance only. All specifications are subject to change without prior notification.

Althen Controls – Your expert partner for customized joystick controllers, footpedals, and position feedback sensors.

Althen stands for high quality solutions, flexibility in customization, and is known for its long experience.

Please visit our website althencontrols.com
or contact us by email at info@althencontrols.com